

**Technical Data**

Wire sizes		Insulating Material	
Solid min	-	Material	PBT
Solid max	-	Flammability Class	UL 94 V-0
Stranded (flexible) min	-	<b>Temperatures</b>	
Stranded (flexible) max	-	Operating Temperature (without mech. load)	-40 °C - 105 °C
Stranded with Ferrule min	-	Store Temperature	-40 °C - 105 °C
Stranded with Ferrule max	-	<b>Wave Soldering Process</b>	
<b>Dimensions</b>		Soldering Temperature, recommended	260 °C
PCB Hole Diameter	1.2 mm	Peak Soldering Time, recommended	3-4 s
<b>Materials</b>		<b>Reflow Process</b>	
Contact Pin	Copper Alloy	Soldering Temperature, recommended	-
		Peak Soldering Time, recommended	-

**Colours**

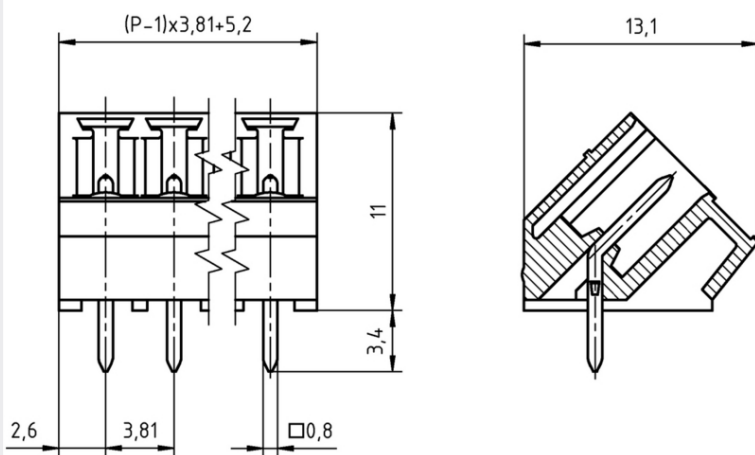
- GREEN, RAL 6018
- LIGHT GREEN, similar RAL 6018

Colours according to RAL, there may be variations on colour due to production conditions. Special colours on request.

**Counterparts (Spacing 3.81 mm)**

Terminal Block				
AKZ1550	AKZ1700	AKZ1710	AKZ4551	AKZ4561

In combination of connectors with different admission data, the lower value is valid.



**Order Data (Spacing 3.81 mm)**

Poles	Width (mm)	Article Designation	Article Number	PU
2	9.01	STLZ1590/2G-3.81-GREEN	51590025121 F	200
3	12.82	STLZ1590/3G-3.81-GREEN	51590035121 F	200
4	16.63	STLZ1590/4G-3.81-GREEN	51590045121 F	200
5	20.44	STLZ1590/5G-3.81-GREEN	51590055121 F	200
6	24.25	STLZ1590/6G-3.81-GREEN	51590065121 E	100
7	28.06	STLZ1590/7G-3.81-GREEN	51590075121 E	100
8	31.87	STLZ1590/8G-3.81-GREEN	51590085121 D	50
9	35.68	STLZ1590/9G-3.81-GREEN	51590095121 D	50
10	39.49	STLZ1590/10G-3.81-GREEN	51590105121 D	50
11	43.30	STLZ1590/11G-3.81-GREEN	51590115121 D	50
12	47.11	STLZ1590/12G-3.81-GREEN	51590125121 D	50
13	50.92	STLZ1590/13G-3.81-GREEN	51590135121 D	50
14	54.73	STLZ1590/14G-3.81-GREEN	51590145121 D	50
15	58.54	STLZ1590/15G-3.81-GREEN	51590155121 D	50
16	62.35	STLZ1590/16G-3.81-GREEN	51590165121 D	50
17	66.16	STLZ1590/17G-3.81-GREEN	51590175121 D	50
18	69.97	STLZ1590/18G-3.81-GREEN	51590185121 D	50
19	73.78	STLZ1590/19G-3.81-GREEN	51590195121 D	50
20	77.59	STLZ1590/20G-3.81-GREEN	51590205121 D	50

**Accessoires**

Figure	Designation	Article Number
	Coding Star CS1-3.5/3.81-RED	Order Data: 50000000023
	Separating Element SE-STL1550-GREEN	Order Data: 51550000002

**Ratings**

UseGroup	C			
	B	C	D	
Rated Voltage	300 V	-	300 V	160 V
Rated Current	10 A	-	10 A	10 A
Overvoltage Category				III
Test Voltage	1.60 kV	-	1.60 kV	2.5 kV
Pollution Degree				3