

## AK710/..-15.0-V-GREEN



A Phoenix Mecano Brand

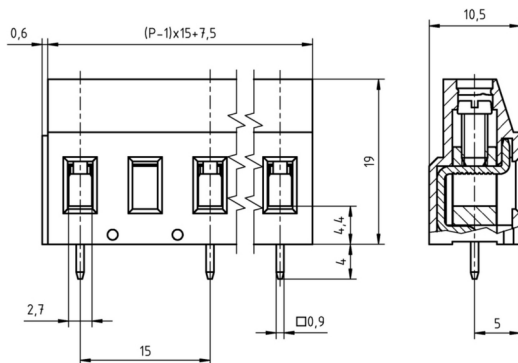
## Technical Data

Wire sizes		Insulating Material	
Solid min	0.2 mm <sup>2</sup>	Material	PA 6.6
Solid max	4.0 mm <sup>2</sup>	Flammability Class	UL 94 V-0
Stranded (flexible) min	0.2mm <sup>2</sup>	<b>Temperatures</b>	
Stranded (flexible) max	2.5 mm <sup>2</sup>	Operating Temperature (without mech. load)	-40 °C - 105 °C
Stranded with Ferrule min	0.25 mm <sup>2</sup>	Store Temperature	-40 °C - 105 °C
Stranded with Ferrule max	2.5 mm <sup>2</sup>	<b>Wave Soldering Process</b>	
<b>Dimensions</b>		Soldering Temperature, recommended	260 °C
Stripped Length	8.0 mm	Peak Soldering Time, recommended	3-4 s
PCB Hole Diameter	1.3 mm	<b>Reflow Process</b>	
<b>Materials</b>		Soldering Temperature, recommended	-
Clamp	Brass	Peak Soldering Time, recommended	-
Screw	Steel	<b>Colours</b>	
Solder Tab	Copper Alloy	BLACK, RAL 9011	
		PEBBLE GREY, RAL 7032	
		GREEN, RAL 6018	
		BLUE, RAL 5015	
		LIGHT GREEN, similar RAL 6018	

## Colours

	BLACK, RAL 9011
	PEBBLE GREY, RAL 7032
	GREEN, RAL 6018
	BLUE, RAL 5015
	LIGHT GREEN, similar RAL 6018

Colours according to RAL, there may be variations on colour due to production conditions. Special colours on request.



## Order Data (Spacing 15.0 mm)

Poles	Width (mm)	Article Designation	Article Number	PU
2	23.10	AK710/2-15.0-V-GREEN	50710020241 E	100
3	38.10	AK710/3-15.0-V-GREEN	50710030241 E	100
4	53.10	AK710/4-15.0-V-GREEN	50710040241 D	50
5	68.10	AK710/5-15.0-V-GREEN	50710050241 D	50
6	83.10	AK710/6-15.0-V-GREEN	50710060241 D	50

## Accessoires

Figure	Designation	Article Number
	Bridge, 2-pole, insulated, BRI/2-7.5/7.62-L8.2-LIGHT GREY	Order Data: 50000000017
	Screw Cover SC-AK700-YELLOW	Order Data: 50700000004

## Ratings

UseGroup	cRU <sup>®</sup> US			VDE	
	B	C	D		
Rated Voltage	600 V	600 V	-	1000 V	
Rated Current	20 A	20 A	-	24 A	
Rated Wire Size				min	max
- solid	AWG 22-12	AWG 22-12	-	0.5 mm <sup>2</sup>	4.0 mm <sup>2</sup>
- stranded	AWG 22-12	AWG 22-12	-	0.5 mm <sup>2</sup>	2.5 mm <sup>2</sup>
Torque	0.45 Nm	0.45 Nm	-	0.50 Nm	
Screw Size	M3	M3	-	M3	
Test Voltage	2.20 kV	2.20 kV	-	3.5 kV	