



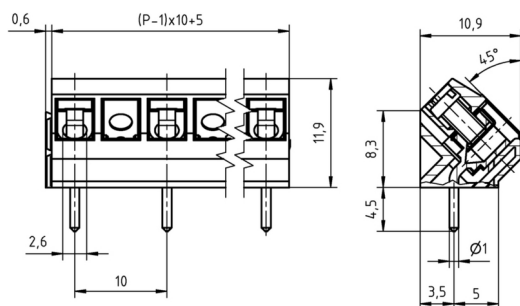
### Technical Data

Wire sizes		Insulating Material	
Solid min	0.2 mm <sup>2</sup>	Material	PA 6.6
Solid max	1.5 mm <sup>2</sup>	Flammability Class	UL 94 V-0
Stranded (flexible) min	0.2mm <sup>2</sup>	<b>Temperatures</b>	
Stranded (flexible) max	1.5 mm <sup>2</sup>	Operating Temperature (without mech. load)	-40 °C - 105 °C
Stranded with Ferrule min	0.2 mm <sup>2</sup>	Store Temperature	-40 °C - 105 °C
Stranded with Ferrule max	1.5 mm <sup>2</sup>	<b>Wave Soldering Process</b>	
<b>Dimensions</b>		Soldering Temperature, recommended	260 °C
Stripped Length	6.0 mm	Peak Soldering Time, recommended	3-4 s
PCB Hole Diameter	1.3 mm	<b>Reflow Process</b>	
<b>Materials</b>		Soldering Temperature, recommended	-
Clamp	Brass	Peak Soldering Time, recommended	-
Wire Guard	Stainless Steel		
Screw	Steel		

### Colours

	GREY, RAL 7016
	BLUE, RAL 5015
	LIGHT GREEN, similar RAL 6018

Colours according to RAL, there may be variations on colour due to production conditions. Special colours on request.



### Order Data (Spacing 10.0 mm)

Poles	Width (mm)	Article Designation	Article Number	PU
2	15.60	AK590/2DS-10.0-GREY	50590020211 G	250
3	25.60	AK590/3DS-10.0-GREY	50590030211 G	250
4	35.60	AK590/4DS-10.0-GREY	50590040211 G	250
5	45.60	AK590/5DS-10.0-GREY	50590050211 E	100
6	55.60	AK590/6DS-10.0-GREY	50590060211 E	100

### Ratings

UseGroup					
	B	C	D		
Rated Voltage	300 V	150 V	300 V	750 V	
Rated Current	15 A	15 A	10 A	17.5 A	
Rated Wire Size				min	max
- solid	AWG 22-14	AWG 22-14	AWG 22-14	0.5 mm <sup>2</sup>	1.5 mm <sup>2</sup>
- stranded	AWG 22-14	AWG 22-14	AWG 22-14	0.5 mm <sup>2</sup>	1.5 mm <sup>2</sup>
Torque	0.40 Nm	0.40 Nm	0.40 Nm	0.40 Nm	
Screw Size	M2.6	M2.6	M2.6	M2.6	
Test Voltage	1.60 kV	1.30 kV	1.60 kV	3.5 kV	