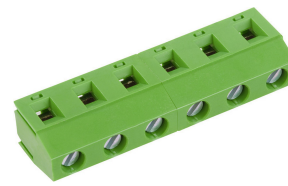


AK360/..-7.5-H-GREEN



A Phoenix Mecano Brand

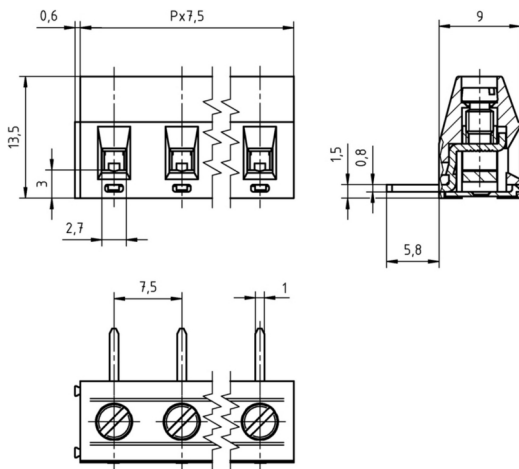
Technical Data

Wire sizes		Insulating Material	
Solid min	0.14 mm ²	Material	PA 6.6
Solid max	2.5 mm ²	Flammability Class	UL 94 V-0
Stranded (flexible) min	0.14mm ²	Temperatures	
Stranded (flexible) max	1.5 mm ²	Operating Temperature (without mech. load)	-40 °C - 105 °C
Stranded with Ferrule min	0.25 mm ²	Store Temperature	-40 °C - 105 °C
Stranded with Ferrule max	1.5 mm ²	Wave Soldering Process	
Dimensions		Soldering Temperature, recommended	260 °C
Stripped Length	6.0 mm	Peak Soldering Time, recommended	3-4 s
PCB Hole Diameter	1.3 mm	Reflow Process	
Materials		Soldering Temperature, recommended	-
Clamp	Brass	Peak Soldering Time, recommended	-
Screw	Steel		
Solder Tab	Brass		

Colours

	GREEN, RAL 6018
	BLACK, RAL 9011

Colours according to RAL, there may be variations on colour due to production conditions. Special colours on request.



Order Data (Spacing 7.5 mm)

Poles	Width (mm)	Article Designation	Article Number	PU
2	15.60	AK360/2-7.5-H-GREEN	50360020207 F	200
3	23.10	AK360/3-7.5-H-GREEN	50360030207 F	200
4	30.60	AK360/4-7.5-H-GREEN	50360040207 F	200
5	38.10	AK360/5-7.5-H-GREEN	50360050207 E	100
6	45.60	AK360/6-7.5-H-GREEN	50360060207 E	100
7	53.10	AK360/7-7.5-H-GREEN	50360070207 E	100
8	60.60	AK360/8-7.5-H-GREEN	50360080207 E	100
9	68.10	AK360/9-7.5-H-GREEN	50360090207 E	100
10	75.60	AK360/10-7.5-H-GREEN	50360100207 D	50
11	83.10	AK360/11-7.5-H-GREEN	50360110207 D	50
12	90.60	AK360/12-7.5-H-GREEN	50360120207 D	50

Accessoires

Figure	Designation	Article Number
	Bridge, 2-pole, insulated, BRI/2-7.5/7.62-L8.2-LIGHT GREY	Order Data: 50000000017

Ratings

UseGroup	C _{RU} US			VDE	
	B	C	D		
Rated Voltage	300 V	150 V	300 V	750 V	
Rated Current	15 A	15 A	10 A	17.5 A	
Rated Wire Size				min	max
- solid	AWG 22-12	AWG 22-12	AWG 22-12	0.5 mm ²	2.5 mm ²
- stranded	AWG 22-12	AWG 22-12	AWG 22-12	0.5 mm ²	1.5 mm ²
Torque	0.50 Nm	0.50 Nm	0.50 Nm	0.50 Nm	
Screw Size	M3	M3	M3	M3	
Test Voltage	1.60 kV	1.30 kV	1.60 kV	3.0 kV	