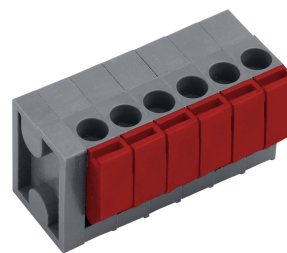


# AKZ4701/..KD-3.81-V-BASALTGREY






A Phoenix Mecano Brand

- 1 to n poles

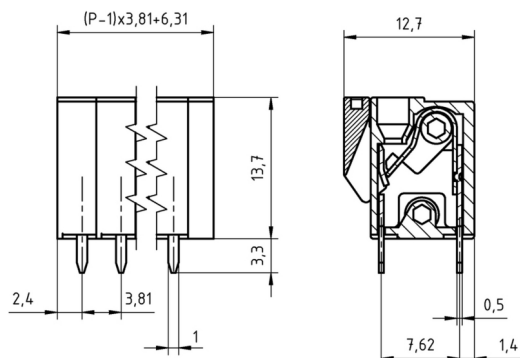
## Technical Data

Wire sizes		Insulating Material	
Solid min	0.14 mm <sup>2</sup>	Material	PBT
Solid max	1.5 mm <sup>2</sup>	Flammability Class	UL 94 V-0
Stranded (flexible) min	0.14mm <sup>2</sup>	<b>Temperatures</b>	
Stranded (flexible) max	1.5 mm <sup>2</sup>	Operating Temperature (without mech. load)	-40 °C - 105 °C
Stranded with Ferrule min	0.14 mm <sup>2</sup>	Store Temperature	-40 °C - 105 °C
Stranded with Ferrule max	0.34 mm <sup>2</sup>	<b>Wave Soldering Process</b>	
<b>Dimensions</b>		Soldering Temperature, recommended	260 °C
Stripped Length	10.0 mm	Peak Soldering Time, recommended	3-4 s
PCB Hole Diameter	1.4 mm	<b>Reflow Process</b>	
<b>Materials</b>		Soldering Temperature, recommended	-
Solder Tab	Brass	Peak Soldering Time, recommended	-
Clamp Spring	Stainless Steel		

## Colours

	BASALT GREY, RAL 7012
	GREEN, RAL 6018
	LIGHT GREEN, similar RAL 6018

Colours according to RAL, there may be variations on colour due to production conditions. Special colours on request.



## Order Data (Spacing 3.81 mm)

Poles	Width (mm)	Article Designation	Article Number	PU
1	6.31	AKZ4701/1KD-3.81-V-BASALTGREY	54701010421 G	250
2	10.12	AKZ4701/2KD-3.81-V-BASALTGREY	54701020421 F	200
3	13.93	AKZ4701/3KD-3.81-V-BASALTGREY	54701030421 F	200
4	17.74	AKZ4701/4KD-3.81-V-BASALTGREY	54701040421 F	200
5	21.55	AKZ4701/5KD-3.81-V-BASALTGREY	54701050421 E	100
6	25.36	AKZ4701/6KD-3.81-V-BASALTGREY	54701060421 E	100
7	29.17	AKZ4701/7KD-3.81-V-BASALTGREY	54701070421 E	100
8	32.98	AKZ4701/8KD-3.81-V-BASALTGREY	54701080421 D	50
9	36.79	AKZ4701/9KD-3.81-V-BASALTGREY	54701090421 D	50
10	40.60	AKZ4701/10KD-3.81-V-BASALTGREY	54701100421 D	50
11	44.41	AKZ4701/11KD-3.81-V-BASALTGREY	54701110421 D	50
12	48.22	AKZ4701/12KD-3.81-V-BASALTGREY	54701120421 D	50

## Ratings

UseGroup	cRU <sup>®</sup> US			VDE	
	B	C	D		
Rated Voltage	300 V	-	300 V	130 V	
Rated Current	6 A	-	6 A	12 A	
Rated Wire Size				min	max
- solid	AWG 26-16	-	AWG 26-16	0.2 mm <sup>2</sup>	1.5 mm <sup>2</sup>
- stranded	AWG 26-16	-	AWG 26-16	0.2 mm <sup>2</sup>	1.5 mm <sup>2</sup>
Test Voltage	1.60 kV	-	1.60 kV	1.25 kV	