

# AKZ1200/..F-5.08-GREEN

- 17 to 24 poles on request



A Phoenix Mecano Brand



## Technical Data

Wire sizes		Insulating Material	
Solid min	0.2 mm <sup>2</sup>	Material	PA 6.6
Solid max	4.0 mm <sup>2</sup>	Flammability Class	UL 94 V-0
Stranded (flexible) min	0.2mm <sup>2</sup>	<b>Temperatures</b>	
Stranded (flexible) max	2.5 mm <sup>2</sup>	Operating Temperature (without mech. load)	-40 °C - 105 °C
Stranded with Ferrule min	0.25 mm <sup>2</sup>	Store Temperature	-40 °C - 105 °C
Stranded with Ferrule max	2.5 mm <sup>2</sup>	<b>Wave Soldering Process</b>	
<b>Dimensions</b>		Soldering Temperature, recommended	-
Stripped Length	10.0 mm	Peak Soldering Time, recommended	-
<b>Materials</b>		<b>Reflow Process</b>	
Screw	Steel	Soldering Temperature, recommended	-
Contact Spring	Bronze	Peak Soldering Time, recommended	-
Clamp Cage	Steel		
Excenter	Steel		

## Colours

- GREEN, RAL 6018
- LIGHT GREEN, similar RAL 6018

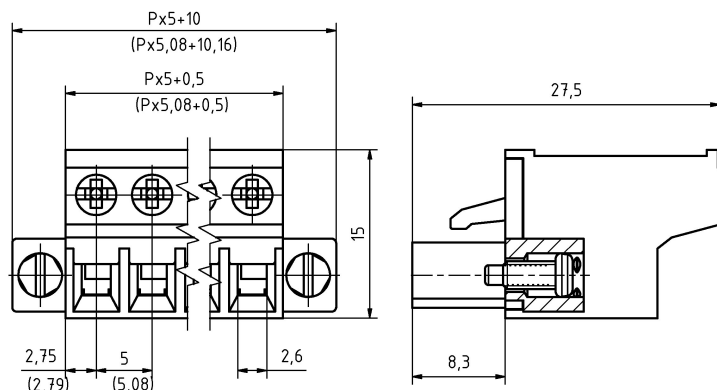
Colours according to RAL, there may be variations on colour due to production conditions. Special colours on request.

## Counterparts (Spacing 5.08 mm)

Pin Strip/Terminal Block

STLZ950	STLZ950-HT	STLZ970	STLZ990	AKZ950	AKZS950
---------	------------	---------	---------	--------	---------

In combination of connectors with different admission data, the lower value is valid.



## Order Data (Spacing 5.08 mm)

Poles	Width (mm)	Article Designation	Article Number	PU
2	10.16	AKZ1200/2F-5.08-GREEN	51200022021 D	50
3	15.24	AKZ1200/3F-5.08-GREEN	51200032021 D	50
4	20.32	AKZ1200/4F-5.08-GREEN	51200042021 D	50
5	25.40	AKZ1200/5F-5.08-GREEN	51200052021 D	50
6	30.48	AKZ1200/6F-5.08-GREEN	51200062021 D	50
7	35.56	AKZ1200/7F-5.08-GREEN	51200072021 D	50
8	40.64	AKZ1200/8F-5.08-GREEN	51200082021 D	50
9	45.72	AKZ1200/9F-5.08-GREEN	51200092021 D	50
10	50.80	AKZ1200/10F-5.08-GREEN	51200102021 D	50
11	55.88	AKZ1200/11F-5.08-GREEN	51200112021 D	50
12	60.96	AKZ1200/12F-5.08-GREEN	51200122021 D	50
13	66.04	AKZ1200/13F-5.08-GREEN	51200132021 D	50
14	71.12	AKZ1200/14F-5.08-GREEN	51200142021 D	50
15	76.20	AKZ1200/15F-5.08-GREEN	51200152021 D	50
16	81.28	AKZ1200/16F-5.08-GREEN	51200162021 D	50

## Accessoires

Figure	Designation	Article Number
	Coding Star CS4-5.0/5.08-RED	Order Data: 50000000026

Series AKZ1200 with pull relief Order Data: on request

## Ratings

UseGroup	cRU <sup>®</sup> US			VDE	
	B	C	D		
Rated Voltage	300 V	150 V	300 V	250 V	
Rated Current	15 A	15 A	10 A	12 A	
Overtoltage Category				III	
Rated Wire Size				min	max
	- solid	AWG 22-12	AWG 22-12	AWG 22-12	0.2 mm <sup>2</sup> (4 A) / 2.5 mm <sup>2</sup> (12 A)
	- stranded	AWG 22-12	AWG 22-12	AWG 22-12	0.2 mm <sup>2</sup> (4 A) / 2.5 mm <sup>2</sup> (12 A)
Torque	0.50 Nm	0.50 Nm	0.50 Nm	0.50 Nm	
Screw Size	M2.5	M2.5	M2.5	M2.5	
Test Voltage	1.60 kV	1.30 kV	1.60 kV	4.0 kV	
Pollution Degree				3	