

# AKZ4951/..KD-5.08-BASALTGREY



A Phoenix Mecano Brand

## Technical Data

Wire sizes		Insulating Material	
Solid min	0.2 mm <sup>2</sup>	Material	PA 6.6
Solid max	2.5 mm <sup>2</sup>	Flammability Class	UL 94 V-0
Stranded (flexible) min	0.2 mm <sup>2</sup>	<b>Temperatures</b>	
Stranded (flexible) max	2.5 mm <sup>2</sup>	Operating Temperature (without mech. load)	-40 °C - 105 °C
Stranded with Ferrule min	0.25 mm <sup>2</sup>	Store Temperature	-40 °C - 105 °C
Stranded with Ferrule max	2.5 mm <sup>2</sup>	<b>Wave Soldering Process</b>	
<b>Dimensions</b>		Soldering Temperature, recommended	-
Stripped Length	12.0 mm	Peak Soldering Time, recommended	-
<b>Materials</b>		<b>Reflow Process</b>	
Contact Spring	Copper Alloy	Soldering Temperature, recommended	-
Clamp Spring	Stainless Steel	Peak Soldering Time, recommended	-

## Colours

	BASALT GREY, RAL 7012
	GREEN, RAL 6018
	LIGHT GREEN, similar RAL 6018

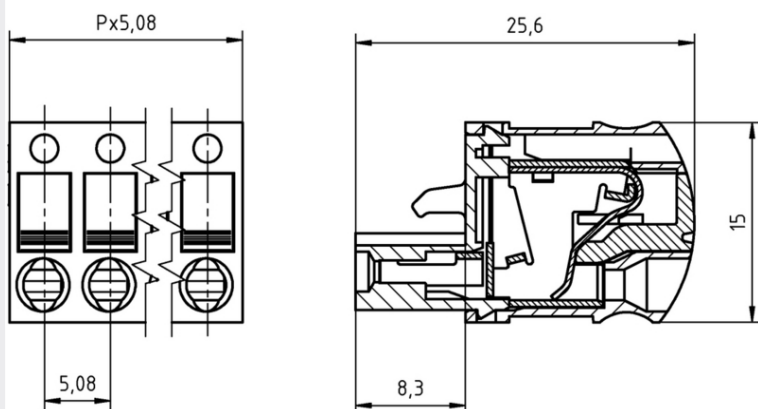
Colours according to RAL, there may be variations on colour due to production conditions. Special colours on request.

## Counterparts (Spacing 5.08 mm)

Pin Strip/Terminal Block

STLZ950	STLZ950-HT	STLZ950-G-HT	STLZ970	STLZ990	AKZS950
---------	------------	--------------	---------	---------	---------

In combination of connectors with different admission data, the lower value is valid.



## Order Data (Spacing 5.08 mm)

Poles	Width (mm)	Article Designation	Article Number	PU
2	10.16	AKZ4951/2KD-5.08-BASALTGREY	54951020421 D	50
3	15.24	AKZ4951/3KD-5.08-BASALTGREY	54951030421 D	50
4	20.32	AKZ4951/4KD-5.08-BASALTGREY	54951040421 D	50
5	25.40	AKZ4951/5KD-5.08-BASALTGREY	54951050421 D	50
6	30.48	AKZ4951/6KD-5.08-BASALTGREY	54951060421 D	50
7	35.56	AKZ4951/7KD-5.08-BASALTGREY	54951070421 D	50
8	40.64	AKZ4951/8KD-5.08-BASALTGREY	54951080421 D	50
9	45.72	AKZ4951/9KD-5.08-BASALTGREY	54951090421 D	50
10	50.80	AKZ4951/10KD-5.08-BASALTGREY	54951100421 D	50
11	55.88	AKZ4951/11KD-5.08-BASALTGREY	54951110421 D	50
12	60.96	AKZ4951/12KD-5.08-BASALTGREY	54951120421 D	50
13	66.04	AKZ4951/13KD-5.08-BASALTGREY	54951130421 D	50
14	71.12	AKZ4951/14KD-5.08-BASALTGREY	54951140421 D	50
15	76.20	AKZ4951/15KD-5.08-BASALTGREY	54951150421 D	50
16	81.28	AKZ4951/16KD-5.08-BASALTGREY	54951160421 D	50
17	86.36	AKZ4951/17KD-5.08-BASALTGREY	54951170421 D	50
18	91.44	AKZ4951/18KD-5.08-BASALTGREY	54951180421 D	50
19	96.52	AKZ4951/19KD-5.08-BASALTGREY	54951190421 D	50
20	101.60	AKZ4951/20KD-5.08-BASALTGREY	54951200421 D	50
21	106.68	AKZ4951/21KD-5.08-BASALTGREY	54951210421 D	50
22	111.76	AKZ4951/22KD-5.08-BASALTGREY	54951220421 D	50
23	116.84	AKZ4951/23KD-5.08-BASALTGREY	54951230421 D	50
24	121.92	AKZ4951/24KD-5.08-BASALTGREY	54951240421 D	50

## Accessoires

Figure	Designation	Article Number
	Coding Star CS1-5.0/5.08-RED	Order Data: 50000000021
	Series AK(Z)4951 with pull relief	Order Data: on request

## Ratings

UseGroup	C  US				
	B	C	D		
Rated Voltage	300 V	-	300 V	250 V	
Rated Current	10 A	-	10 A	12 A	
Overvoltage Category				III	
Rated Wire Size			min		max
	- solid	AWG 26-12	-	AWG 26-12	0.2 mm <sup>2</sup> 2.5 mm <sup>2</sup> (12 A)
	- stranded	AWG 26-12	-	AWG 26-12	0.2 mm <sup>2</sup> 2.5 mm <sup>2</sup> (12 A)
Test Voltage	1.60 kV	-	1.60 kV	4.0 kV	
Pollution Degree				3	