



Technical Data

Wire sizes		Insulating Material	
Solid min	-	Material	PA 6.6
Solid max	-	Flammability Class	UL 94 V-0
Stranded (flexible) min	-	Temperatures	
Stranded (flexible) max	-	Operating Temperature (without mech. load)	-40 °C - 105 °C
Stranded with Ferrule min	-	Store Temperature	-40 °C - 105 °C
Stranded with Ferrule max	-	Wave Soldering Process	
Dimensions		Soldering Temperature, recommended	260 °C
PCB Hole Diameter	1.4 mm	Peak Soldering Time, recommended	3-4 s
Materials		Reflow Process	
Contact Pin	Copper Alloy	Soldering Temperature, recommended	-
		Peak Soldering Time, recommended	-

Colours

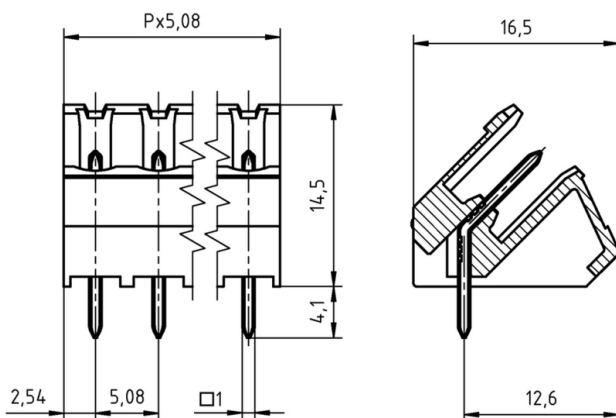
- GREEN, RAL 6018
- LIGHT GREEN, similar RAL 6018

Colours according to RAL, there may be variations on colour due to production conditions. Special colours on request.

Counterparts (Spacing 5.08 mm)

Pin Strip/Terminal Block

STLZ950-INV	AKZ950	AKZ955	AKZ1100	AKZ1110	AKZ1200	AKZ4951
In combination of connectors with different admission data, the lower value is valid.						



Order Data (Spacing 5.08 mm)

Poles	Width (mm)	Article Designation	Article Number	PU
2	10.16	STLZ990/2-5.08-GREEN	50990025131 F	200
3	15.24	STLZ990/3-5.08-GREEN	50990035131 F	200
4	20.32	STLZ990/4-5.08-GREEN	50990045131 F	200
5	25.40	STLZ990/5-5.08-GREEN	50990055131 E	100
6	30.48	STLZ990/6-5.08-GREEN	50990065131 E	100
7	35.56	STLZ990/7-5.08-GREEN	50990075131 E	100
8	40.64	STLZ990/8-5.08-GREEN	50990085131 D	50
9	45.72	STLZ990/9-5.08-GREEN	50990095131 D	50
10	50.80	STLZ990/10-5.08-GREEN	50990105131 D	50
11	55.88	STLZ990/11-5.08-GREEN	50990115131 D	50
12	60.96	STLZ990/12-5.08-GREEN	50990125131 D	50
13	66.04	STLZ990/13-5.08-GREEN	50990135131 D	50
14	71.12	STLZ990/14-5.08-GREEN	50990145131 D	50
15	76.20	STLZ990/15-5.08-GREEN	50990155131 D	50
16	81.28	STLZ990/16-5.08-GREEN	50990165131 D	50
17	86.36	STLZ990/17-5.08-GREEN	50990175131 D	50
18	91.44	STLZ990/18-5.08-GREEN	50990185131 D	50
19	96.52	STLZ990/19-5.08-GREEN	50990195131 D	50
20	101.60	STLZ990/20-5.08-GREEN	50990205131 D	50
21	106.68	STLZ990/21-5.08-GREEN	50990215131 D	50
22	111.76	STLZ990/22-5.08-GREEN	50990225131 D	50
23	116.84	STLZ990/23-5.08-GREEN	50990235131 D	50
24	121.92	STLZ990/24-5.08-GREEN	50990245131 D	50

Accessoires

Figure	Designation	Article Number
	Coding Star CS2-5.0/5.08-RED	Order Data: 50000000024
	Separating Element SE-STL950-GREEN	Order Data: 50950000002

Ratings

UseGroup	C US			
	B	C	D	
Rated Voltage	300 V	150 V	300 V	250 V
Rated Current	15 A	15 A	10 A	12 A
Overvoltage Category				III
Test Voltage	1.60 kV	1.30 kV	1.60 kV	4.0 kV
Pollution Degree				3