

STLZ970/..F-5.08-V-GREEN



A Phoenix Mecano Brand



Technical Data

Wire sizes		Insulating Material	
Solid min	-	Material	PBT
Solid max	-	Flammability Class	UL 94 V-0
Stranded (flexible) min	-	Temperatures	
Stranded (flexible) max	-	Operating Temperature (without mech. load)	-40 °C - 105 °C
Stranded with Ferrule min	-	Store Temperature	-40 °C - 105 °C
Stranded with Ferrule max	-	Wave Soldering Process	
Dimensions		Soldering Temperature, recommended	260 °C
PCB Hole Diameter	1.4 mm	Peak Soldering Time, recommended	3-4 s
Materials		Reflow Process	
Thread Insert, Flange	Brass	Soldering Temperature, recommended	-
Contact Pin	Copper Alloy	Peak Soldering Time, recommended	-

Colours

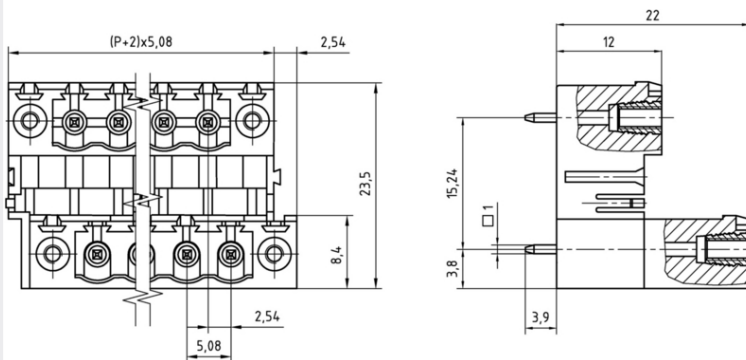
GREEN, RAL 6018

Colours according to RAL, there may be variations on colour due to production conditions. Special colours on request.

Counterparts (Spacing 5.08 mm)

Terminal Block			
AKZ1200	AKZ950	AKZ1100	AKZ1110

In combination of connectors with different admission data, the lower value is valid.



Order Data (Spacing 5.08 mm)

Poles	Width (mm)	Article Designation	Article Number	PU
2	22.86	STLZ970/2F-5.08-V-GREEN	50970026121 D	50
3	27.94	STLZ970/3F-5.08-V-GREEN	50970036121 D	50
4	33.02	STLZ970/4F-5.08-V-GREEN	50970046121 D	50
5	38.10	STLZ970/5F-5.08-V-GREEN	50970056121 D	50
6	43.18	STLZ970/6F-5.08-V-GREEN	50970066121 D	50
7	48.26	STLZ970/7F-5.08-V-GREEN	50970076121 D	50
8	53.34	STLZ970/8F-5.08-V-GREEN	50970086121 D	50
9	58.42	STLZ970/9F-5.08-V-GREEN	50970096121 D	50
10	63.50	STLZ970/10F-5.08-V-GREEN	50970106121 D	50
11	68.58	STLZ970/11F-5.08-V-GREEN	50970116121 D	50
12	73.66	STLZ970/12F-5.08-V-GREEN	50970126121 D	50

Accessoires

Figure	Designation	Article Number
	Coding Star CS2-5.0/5.08-RED	Order Data: 50000000024
	Separating Element SE-STL950-GREEN	Order Data: 50950000002

Ratings

UseGroup	C US			
	B	C	D	
Rated Voltage	300 V	150 V	300 V	250 V
Rated Current	15 A	15 A	10 A	12 A
Overvoltage Category				III
Test Voltage	1.60 kV	1.30 kV	1.60 kV	4.0 kV
Pollution Degree				3