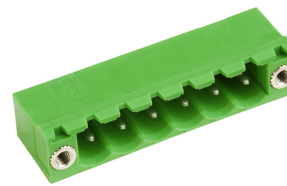


STLZ950/..F-5.08-H-GREEN



A Phoenix Mecano Brand

Technical Data

Wire sizes		Insulating Material	
Solid min	-	Material	PA 6.6
Solid max	-	Flammability Class	UL 94 V-0
Stranded (flexible) min	-	Temperatures	
Stranded (flexible) max	-	Operating Temperature (without mech. load)	-40 °C - 105 °C
Stranded with Ferrule min	-	Store Temperature	-40 °C - 105 °C
Stranded with Ferrule max	-	Wave Soldering Process	
Dimensions		Soldering Temperature, recommended	260 °C
PCB Hole Diameter	1.4 mm	Peak Soldering Time, recommended	3-4 s
Materials		Reflow Process	
Thread Insert, Flange	Brass	Soldering Temperature, recommended	-
Contact Pin	Copper Alloy	Peak Soldering Time, recommended	-

Colours

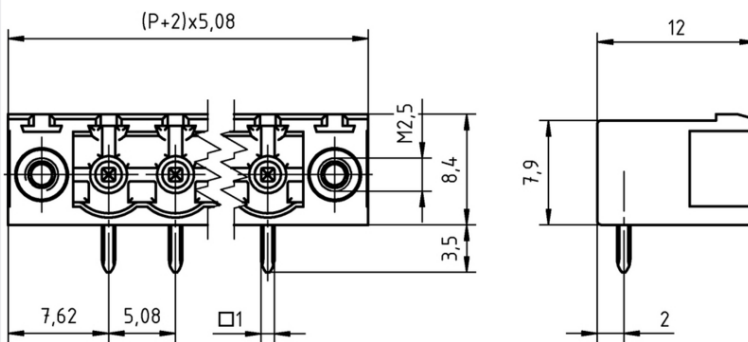
	GREEN, RAL 6018
	BASALT GREY, RAL 7012
	LIGHT GREEN, similar RAL 6018

Colours according to RAL, there may be variations on colour due to production conditions. Special colours on request.

Counterparts (Spacing 5.08 mm)

Terminal Block				
AKZ950	AKZ1100	AKZ1110	AKZ1200	AKZ4951

In combination of connectors with different admission data, the lower value is valid.



Order Data (Spacing 5.08 mm)

Poles	Width (mm)	Article Designation	Article Number	PU
2	20.32	STLZ950/2F-5.08-H-GREEN	50950026021 E	100
3	25.40	STLZ950/3F-5.08-H-GREEN	50950036021 E	100
4	30.48	STLZ950/4F-5.08-H-GREEN	50950046021 E	100
5	35.56	STLZ950/5F-5.08-H-GREEN	50950056021 E	100
6	40.64	STLZ950/6F-5.08-H-GREEN	50950066021 D	50
7	45.72	STLZ950/7F-5.08-H-GREEN	50950076021 D	50
8	50.80	STLZ950/8F-5.08-H-GREEN	50950086021 D	50
9	55.88	STLZ950/9F-5.08-H-GREEN	50950096021 D	50
10	60.96	STLZ950/10F-5.08-H-GREEN	50950106021 D	50
11	66.04	STLZ950/11F-5.08-H-GREEN	50950116021 D	50
12	71.12	STLZ950/12F-5.08-H-GREEN	50950126021 D	50
13	76.20	STLZ950/13F-5.08-H-GREEN	50950136021 D	50
14	81.28	STLZ950/14F-5.08-H-GREEN	50950146021 D	50
15	86.36	STLZ950/15F-5.08-H-GREEN	50950156021 D	50
16	91.44	STLZ950/16F-5.08-H-GREEN	50950166021 D	50
17	96.52	STLZ950/17F-5.08-H-GREEN	50950176021 D	50
18	101.60	STLZ950/18F-5.08-H-GREEN	50950186021 D	50
19	106.68	STLZ950/19F-5.08-H-GREEN	50950196021 D	50
20	111.76	STLZ950/20F-5.08-H-GREEN	50950206021 D	50
21	116.84	STLZ950/21F-5.08-H-GREEN	50950216021 D	50
22	121.92	STLZ950/22F-5.08-H-GREEN	50950226021 D	50
23	127.00	STLZ950/23F-5.08-H-GREEN	50950236021 D	50
24	132.08	STLZ950/24F-5.08-H-GREEN	50950246021 D	50

Accessoires

Figure	Designation	Article Number
	Coding Star CS2-5.0/5.08-RED	Order Data: 50000000024
	Separating Element SE-STL950-GREEN	Order Data: 50950000002

Ratings

UseGroup	C US			
	B	C	D	
Rated Voltage	300 V	150 V	300 V	250 V
Rated Current	15 A	15 A	10 A	12 A
Overvoltage Category				III
Test Voltage	1.60 kV	1.30 kV	1.60 kV	4.0 kV
Pollution Degree				3