

STLZ1570/..G-3.81-H-GREEN



A Phoenix Mecano Brand

Technical Data

Wire sizes		Insulating Material	
Solid min	-	Material	PBT
Solid max	-	Flammability Class	UL 94 V-0
Stranded (flexible) min	-	Temperatures	
Stranded (flexible) max	-	Operating Temperature (without mech. load)	-40 °C - 105 °C
Stranded with Ferrule min	-	Store Temperature	-40 °C - 105 °C
Stranded with Ferrule max	-	Wave Soldering Process	
Dimensions		Soldering Temperature, recommended	260 °C
PCB Hole Diameter	1.2 mm	Peak Soldering Time, recommended	3-4 s
Materials		Reflow Process	
Contact Pin	Copper Alloy	Soldering Temperature, recommended	-
		Peak Soldering Time, recommended	-

Colours

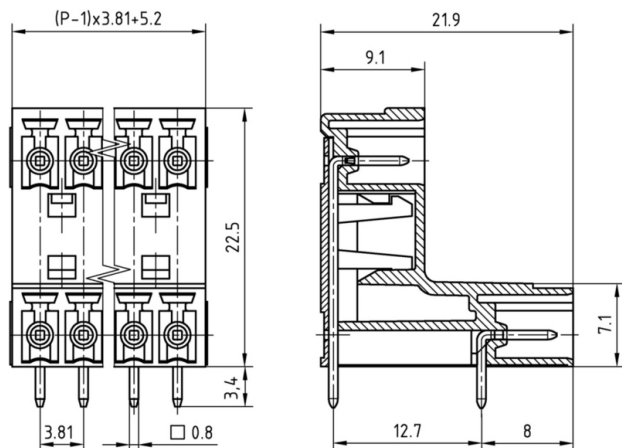
	GREEN, RAL 6018
	LIGHT GREEN, similar RAL 6018

Colours according to RAL, there may be variations on colour due to production conditions. Special colours on request.

Counterparts (Spacing 3.81 mm)

Terminal Block				
AKZ1550	AKZ1700	AKZ1710	AKZ4551	AKZ4561

In combination of connectors with different admission data, the lower value is valid.



Order Data (Spacing 3.81 mm)

Poles	Width (mm)	Article Designation	Article Number	PU
2	9.01	STLZ1570/2G-3.81-H-GREEN	51570025021 E	100
3	12.82	STLZ1570/3G-3.81-H-GREEN	51570035021 E	100
4	16.63	STLZ1570/4G-3.81-H-GREEN	51570045021 E	100
5	20.44	STLZ1570/5G-3.81-H-GREEN	51570055021 E	100
6	24.25	STLZ1570/6G-3.81-H-GREEN	51570065021 E	100
7	28.06	STLZ1570/7G-3.81-H-GREEN	51570075021 D	50
8	31.87	STLZ1570/8G-3.81-H-GREEN	51570085021 D	50
9	35.68	STLZ1570/9G-3.81-H-GREEN	51570095021 D	50
10	39.49	STLZ1570/10G-3.81-H-GREEN	51570105021 D	50
11	43.30	STLZ1570/11G-3.81-H-GREEN	51570115021 D	50
12	47.11	STLZ1570/12G-3.81-H-GREEN	51570125021 D	50
13	50.92	STLZ1570/13G-3.81-H-GREEN	51570135021 D	50
14	54.73	STLZ1570/14G-3.81-H-GREEN	51570145021 D	50
15	58.54	STLZ1570/15G-3.81-H-GREEN	51570155021 D	50
16	62.35	STLZ1570/16G-3.81-H-GREEN	51570165021 D	50
17	66.16	STLZ1570/17G-3.81-H-GREEN	51570175021 D	50
18	69.97	STLZ1570/18G-3.81-H-GREEN	51570185021 D	50
19	73.78	STLZ1570/19G-3.81-H-GREEN	51570195021 D	50
20	77.59	STLZ1570/20G-3.81-H-GREEN	51570205021 D	50

Accessoires

Figure	Designation	Article Number
	Coding Star CS1-3.5/3.81-RED	Order Data: 50000000023
	Separating Element SE-STL1550-GREEN	Order Data: 51550000002

Ratings

UseGroup	B	C	D	
Rated Voltage	300 V	-	300 V	160 V
Rated Current	10 A	-	10 A	10 A
Overvoltage Category				III
Test Voltage	1.60 kV	-	1.60 kV	2.5 kV
Pollution Degree				3