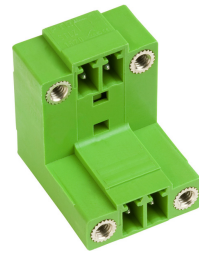


STLZ1570/..F-7.62-H-GREEN



A Phoenix Mecano Brand

Technical Data

Wire sizes		Insulating Material	
Solid min	-	Material	PBT
Solid max	-	Flammability Class	UL 94 V-0
Stranded (flexible) min	-	Temperatures	
Stranded (flexible) max	-	Operating Temperature (without mech. load)	-40 °C - 105 °C
Stranded with Ferrule min	-	Store Temperature	-40 °C - 105 °C
Stranded with Ferrule max	-	Wave Soldering Process	
Dimensions		Soldering Temperature, recommended	260 °C
PCB Hole Diameter	1.2 mm	Peak Soldering Time, recommended	3-4 s
Materials		Reflow Process	
Thread Insert, Flange	Brass	Soldering Temperature, recommended	-
Contact Pin	Copper Alloy	Peak Soldering Time, recommended	-

Colours

- GREEN, RAL 6018
- LIGHT GREEN, similar RAL 6018

Colours according to RAL, there may be variations on colour due to production conditions. Special colours on request.

Counterparts (Spacing 7.62 mm)

Terminal Block		
AKZ1550	AKZ1700	AKZ1710

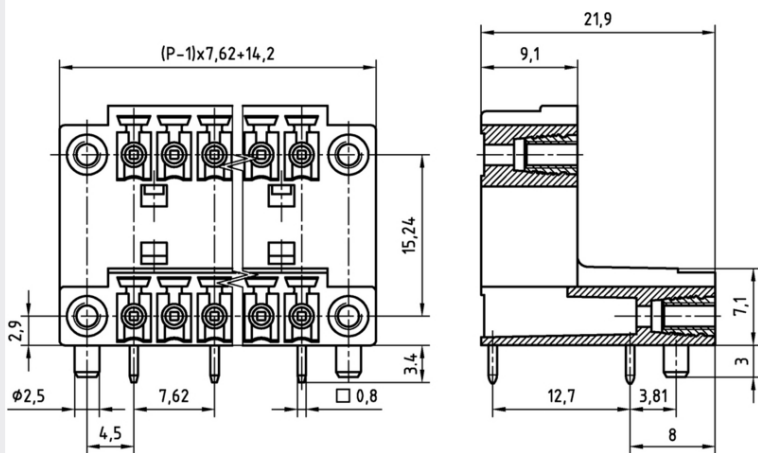
In combination of connectors with different admission data, the lower value is valid.

Order Data (Spacing 7.62 mm)

Poles	Width (mm)	Article Designation	Article Number	PU
2	21.82	STLZ1570/2F-7.62-H-GREEN	51570026061 D	50
3	29.44	STLZ1570/3F-7.62-H-GREEN	51570036061 D	50
4	37.06	STLZ1570/4F-7.62-H-GREEN	51570046061 D	50
5	44.68	STLZ1570/5F-7.62-H-GREEN	51570056061 D	50
6	52.30	STLZ1570/6F-7.62-H-GREEN	51570066061 D	50
7	59.92	STLZ1570/7F-7.62-H-GREEN	51570076061 D	50
8	67.54	STLZ1570/8F-7.62-H-GREEN	51570086061 D	50
9	75.16	STLZ1570/9F-7.62-H-GREEN	51570096061 D	50
10	82.78	STLZ1570/10F-7.62-H-GREEN	51570106061 D	50

Accessoires

Figure	Designation	Article Number
	Coding Star CS1-3.5/3.81-RED	Order Data: 50000000023



Ratings

UseGroup	C _{RU} US			VDE
	B	C	D	
Rated Voltage	300 V	150 V	300 V	400 V
Rated Current	8 A	8 A	-	9 A
Overvoltage Category				III
Test Voltage	1.60 kV	1.30 kV	1.60 kV	6.0 kV
Pollution Degree				3