



Technical Data

Wire sizes		Insulating Material	
Solid min	-	Material	PA 6.6
Solid max	-	Flammability Class	UL 94 V-0
Stranded (flexible) min	-	Temperatures	
Stranded (flexible) max	-	Operating Temperature (without mech. load)	-40 °C - 105 °C
Stranded with Ferrule min	-	Store Temperature	-40 °C - 105 °C
Stranded with Ferrule max	-	Wave Soldering Process	
Dimensions		Soldering Temperature, recommended	260 °C
PCB Hole Diameter	1.2 mm	Peak Soldering Time, recommended	3-4 s
Materials		Reflow Process	
Contact Pin	Copper Alloy	Soldering Temperature, recommended	-
		Peak Soldering Time, recommended	-

Colours

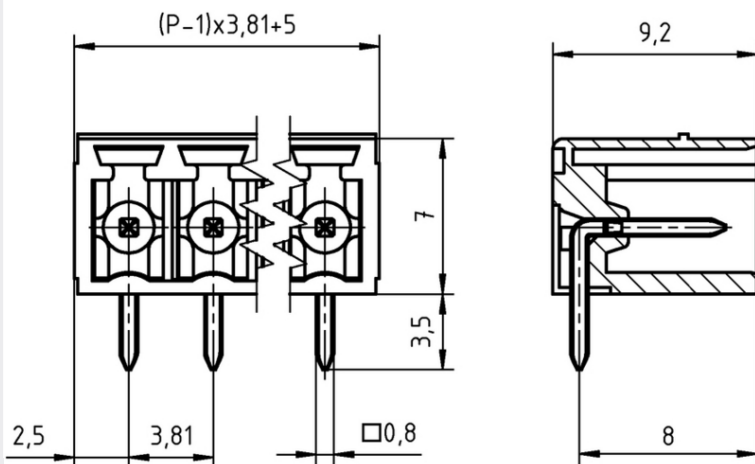
	BASALT GREY, RAL 7012
	GREEN, RAL 6018
	LIGHT GREEN, similar RAL 6018

Colours according to RAL, there may be variations on colour due to production conditions. Special colours on request.

Counterparts (Spacing 3.81 mm)

Terminal Block
AKZ4551

In combination of connectors with different admission data, the lower value is valid.



Order Data (Spacing 3.81 mm)

Poles	Width (mm)	Article Designation	Article Number	PU
2	9.01	STLZ1550/2G-3.81-H-BASALTGREY	51550025235 F	200
3	12.82	STLZ1550/3G-3.81-H-BASALTGREY	51550035235 F	200
4	16.63	STLZ1550/4G-3.81-H-BASALTGREY	51550045235 F	200
5	20.44	STLZ1550/5G-3.81-H-BASALTGREY	51550055235 F	200
6	24.25	STLZ1550/6G-3.81-H-BASALTGREY	51550065235 E	100
7	28.06	STLZ1550/7G-3.81-H-BASALTGREY	51550075235 E	100
8	31.87	STLZ1550/8G-3.81-H-BASALTGREY	51550085235 D	50
9	35.68	STLZ1550/9G-3.81-H-BASALTGREY	51550095235 D	50
10	39.49	STLZ1550/10G-3.81-H-BASALTGREY	51550105235 D	50
11	43.30	STLZ1550/11G-3.81-H-BASALTGREY	51550115235 D	50
12	47.11	STLZ1550/12G-3.81-H-BASALTGREY	51550125235 D	50
13	50.92	STLZ1550/13G-3.81-H-BASALTGREY	51550135235 D	50
14	54.73	STLZ1550/14G-3.81-H-BASALTGREY	51550145235 D	50
15	58.54	STLZ1550/15G-3.81-H-BASALTGREY	51550155235 D	50
16	62.35	STLZ1550/16G-3.81-H-BASALTGREY	51550165235 D	50

Accessoires

Figure	Designation	Article Number
	Coding Star CS1-3.5/3.81-RED	Order Data: 50000000023

Ratings

UseGroup	C US			
	B	C	D	
Rated Voltage	300 V	-	300 V	160 V
Rated Current	10 A	-	10 A	10 A
Overvoltage Category				III
Test Voltage	1.60 kV	-	1.60 kV	2.5 kV
Pollution Degree				3