

# STL950/..G-5.0-H-P2.6-BK-HT



A Phoenix Mecano Brand

## Technical Data

| Wire sizes                |              | Insulating Material                        |                 |
|---------------------------|--------------|--|-----------------|
| Solid min                 | -            | Material                                   | PPA             |
| Solid max                 | -            | Flammability Class                         | UL 94 V-0       |
| Stranded (flexible) min   | -            | <b>Temperatures</b>                        |                 |
| Stranded (flexible) max   | -            | Operating Temperature (without mech. load) | -40 °C - 105 °C |
| Stranded with Ferrule min | -            | Store Temperature                          | -40 °C - 105 °C |
| Stranded with Ferrule max | -            | <b>Wave Soldering Process</b>              |                 |
| <b>Dimensions</b>         |              | Soldering Temperature, recommended         | 260 °C          |
| PCB Hole Diameter         | 1.4 mm       | Peak Soldering Time, recommended           | 3-4 s           |
| <b>Materials</b>          |              | <b>Reflow Process</b>                      |                 |
| Contact Pin               | Copper Alloy | Soldering Temperature, recommended         | 217 - 245 °C    |
|                           |              | Peak Soldering Time, recommended           | 60 s            |

## Colours

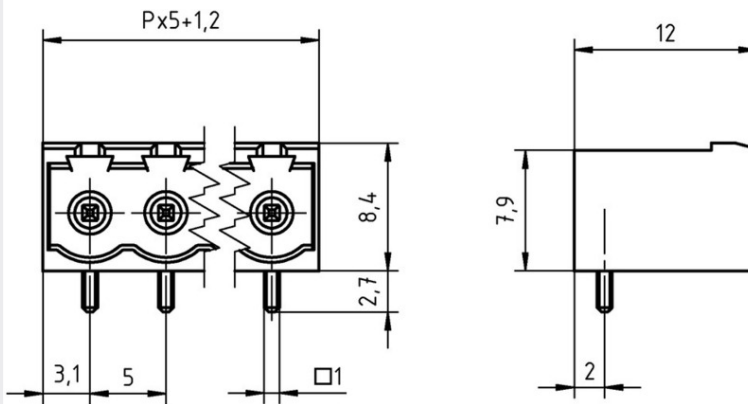
BLACK, RAL 9011

Colours according to RAL, there may be variations on colour due to production conditions.

## Counterparts (Spacing 5.0 mm)

| Terminal Block |       |        |        |        |        |        |
|----------------|-------|--------|--------|--------|--------|--------|
| AK950          | AK955 | AK1100 | AK1110 | AK1200 | AK3950 | AK4951 |

In combination of connectors with different admission data, the lower value is valid.



## Order Data (Spacing 5.0 mm)

| Poles | Width (mm) | Article Designation         | Article Number | PU  |
|-------|------------|-----------------------------|----------------|-----|
| 2     | 11.20      | STL950/2G-5.0-H-P2.6-BK-HT  | 50950025347 F  | 200 |
| 3     | 16.20      | STL950/3G-5.0-H-P2.6-BK-HT  | 50950035347 F  | 200 |
| 4     | 21.20      | STL950/4G-5.0-H-P2.6-BK-HT  | 50950045347 F  | 200 |
| 5     | 26.20      | STL950/5G-5.0-H-P2.6-BK-HT  | 50950055347 E  | 100 |
| 6     | 31.20      | STL950/6G-5.0-H-P2.6-BK-HT  | 50950065347 E  | 100 |
| 7     | 36.20      | STL950/7G-5.0-H-P2.6-BK-HT  | 50950075347 E  | 100 |
| 8     | 41.20      | STL950/8G-5.0-H-P2.6-BK-HT  | 50950085347 D  | 50  |
| 9     | 46.20      | STL950/9G-5.0-H-P2.6-BK-HT  | 50950095347 D  | 50  |
| 10    | 51.20      | STL950/10G-5.0-H-P2.6-BK-HT | 50950105347 D  | 50  |
| 11    | 56.20      | STL950/11G-5.0-H-P2.6-BK-HT | 50950115347 D  | 50  |
| 12    | 61.20      | STL950/12G-5.0-H-P2.6-BK-HT | 50950125347 D  | 50  |

## Accessoires

| Figure | Designation                            | Article Number          |
|--------|--|-------------------------|
|        | Coding Star CS2-5.0/5.08-LIGHT GREY-HT | Order Data: 50000000028 |

## Ratings

| UseGroup             | B       | C       | D       |        |
|----------------------|---------|---------|---------|--------|
| Rated Voltage        | 300 V   | 150 V   | 300 V   | 250 V  |
| Rated Current        | 15 A    | 15 A    | 10 A    | 12 A   |
| Overvoltage Category |         |         |         | III    |
| Test Voltage         | 1.60 kV | 1.30 kV | 1.60 kV | 4.0 kV |
| Pollution Degree     |         |         |         | 3      |