

Series 3015/G

- Ball-head switching test probe for presence detection with side activation
- Threaded type
- Precision ball plunger guide

Mechanical Data

Center	7.50 mm/300 mil
Temperature Range	-30 °C - +120 °C
Full Travel	1.00 mm
Working Travel	0.80 mm
Switching Travel	0.50 mm
Pre-loaded Spring Force	0.50 N
Spring Force at Working Travel	0.70 N
Spring Force at Switching Travel	0.60 N

Electrical Data

Max. Current Rating	1.0 A
Typical Continuity Resistance	<= 25 mOhm
Typical Insulating Voltage	1000 V

Materials

Barrel	Brass, gold-plated
Spring	Spring Steel, gold-plated
Plunger	Steel
Receptacle	Brass, gold-plated

Recommended Diameter of Drill

HP 2361.1 (Trolitax)	6.75...6.80 mm
----------------------	----------------

Available Screw Tools

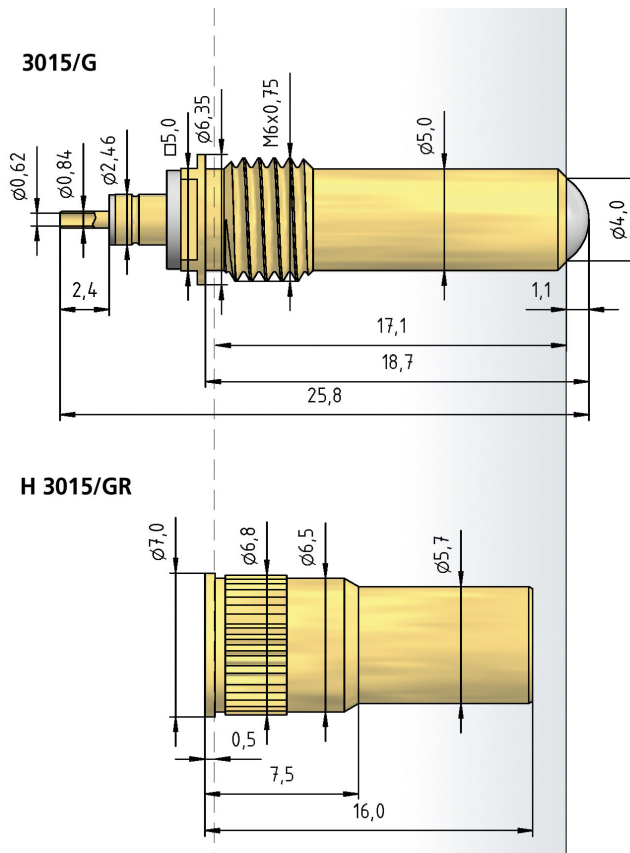
Article Designation	max. Tip Diameter
WFS 3015/G-7.0	5.0

Tip style - Diameter - Plating



D

4.00 Ni



How to Order

3015/ G - D - 0.7 N - Ni - 4.0

1 2 3 4 5 6

1. Series 2. Threaded Design 3. Tip Style
4. Spring Force 5. Tip Plating 6. Tip Diameter