

# Series 3015.06

- Ball-head switching test probe for presence detection with side activation
- Precision ball plunger guide
- Outer barrel and switching travel isolated

## Mechanical Data

Center	6.50 mm/256 mil
Temperature Range	-30 °C - +120 °C
Full Travel	1.40 mm
Working Travel	1.20 mm
Switching Travel	0.80 mm
Pre-loaded Spring Force	0.50 N
Spring Force at Working Travel	0.80 N
Spring Force at Switching Travel	0.70 N

## Electrical Data

Max. Current Rating	1.0 A
Typical Continuity Resistance	<= 25 mOhm

## Materials

Barrel	Brass, gold-plated
Spring	Spring Steel, gold-plated
Plunger	Steel

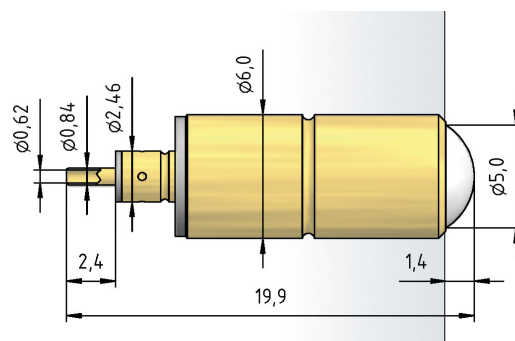
## Tip style - Diameter - Plating



D

5.00 Ni

3015.06



## How to Order

3015 .06 - D - 0.8 N - Ni - 5.0

1 2 3 4 5 6

1. Series 2. Variant 3. Tip Style  
4. Spring Force 5. Tip Plating 6. Tip Diameter