

Series 1007

- Universal field of application
- Compact design
- Short travel
- Contacting of assembled PCBs

Mechanical Data

Center	1.27 mm/50 mil
Temperature Range	-30 °C - +120 °C
Full Travel	2.80 mm
Working Travel	2.40 mm
Pre-loaded Spring Force	0.25/ 0.25/ 0.40 N
Spring Force at Working Travel	0.70/ 1.00/ 1.70 N

Electrical Data

Max. Current Rating	3.0 A
Typical Continuity Resistance	<= 30 mOhm

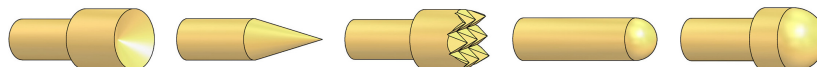
Materials

Barrel	Bronze, gold-plated
Spring	Spring Steel, gold-plated
Plunger	Steel, CuBe
Receptacle	Bronze, gold-plated

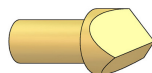
Recommended Diameter of Drill

HP 2361.1 (Trolitax)	0.86 mm
with pressed-in Ring	0.93 mm
HGW 2372	0.88 mm
with pressed-in Ring	0.94 mm

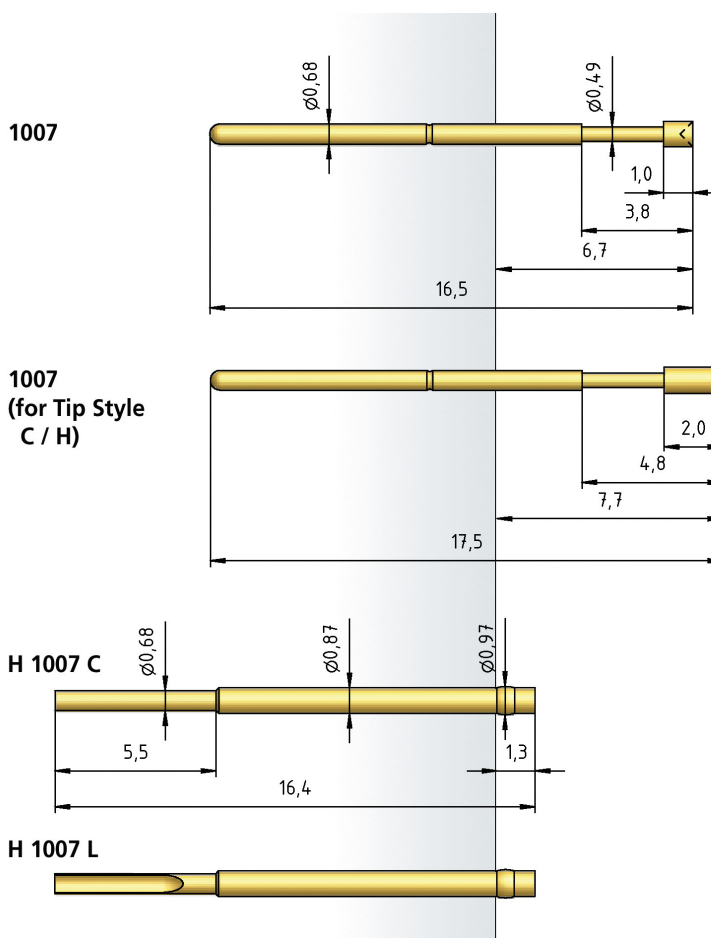
Tip style - Diameter - Plating



A	B	C	D	D
0.90 Au	0.49C Au	0.90C Au	0.49 Au	0.85C Au



H
0.90 Au
1.50 Au



How to Order

1007 - A - 0.7 N - Au - 0.9 C
 1 2 3 4 5 6

1. Series
2. Tip Style
3. Spring Force
4. Tip Plating
5. Tip Diameter
6. Tip Material (only for CuBe)