

Series 3003

- Use without receptacle, collar on housing
- Switching travel 0.65 mm
- High soldering temperature up to 300°C

Mechanical Data

Center	3.18 mm/125 mil
Temperature Range	-30 °C - +120 °C
Full Travel	7.5 mm
Working Travel	5.00 mm
Switching Travel	0.65 mm
Pre-loaded Spring Force	0.40 N
Spring Force at Working Travel	1.15 N
Spring Force at Switching Travel	0.55 N

Electrical Data

Max. Current Rating	4.5 A
Typical Continuity Resistance	<= 15 mOhm
Typical Insulating Voltage	1000 V

Materials

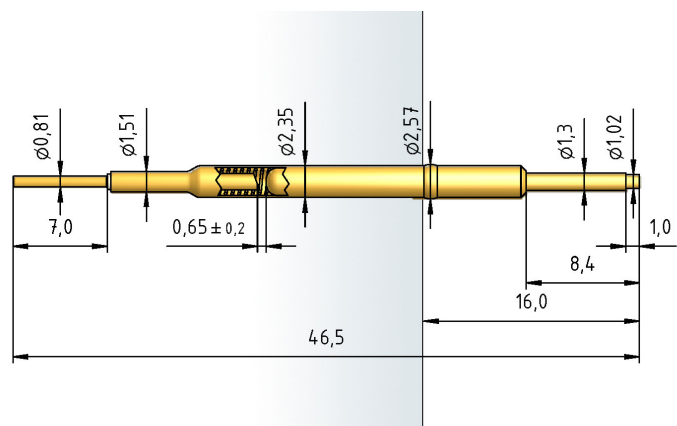
Barrel	Bronze, gold-plated
Spring	Steel Wire, gold-plated
Plunger	CuBe, gold-plated
Connect Pin	CuBe, gold-plated

Tip style - Diameter - Plating



F
1.02C Au

3003



How to Order

3003 - F - 1.15 N - Au - 1.02 C

1 2 3 4 5 6

1. Series 2. Tip Style 3. Spring Force
4. Tip Plating 5. Tip Diameter 6. Tip Material (only for CuBe)