

Series 1060

- Stable design
- Contacting of assembled PCBs
- Universal applications

Mechanical Data

Center	4.00 mm/160 mil
Temperature Range	-30 °C - +120 °C
Full Travel	5.50 mm
Working Travel	4.40 mm
Pre-loaded Spring Force	0.20/ 0.40/ 0.50/ 0.80/ 0.70 N
Spring Force at Working Travel	0.60/ 1.50/ 2.25/ 3.00/ 5.00 N

Electrical Data

Max. Current Rating	5.0 A
Typical Continuity Resistance	<= 30 mOhm

Materials

Barrel	Brass, gold-plated
Spring	Spring Steel, Stainless Steel, gold-plated
Plunger	Steel, CuBe, gold-plated
Receptacle	Nickel Silver, Brass, unplated, gold-plated

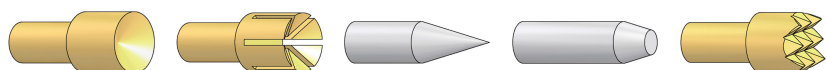
Recommended Diameter of Drill

HP 2361.1 (Trolitax)	3.00 mm
HGW 2372	3.01 mm

High-Temperature Applications

Temperature Range	-40 °C - +250 °C
Pre-Loaded Spring Force	0.40/ 0.50/ 0.80 N
Spring Force at Working Travel (Order Index E)	1.50/ 2.25/ 3.00 N

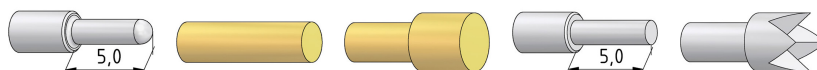
Tip style - Diameter - Plating



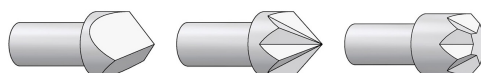
A	A6	B	BA1	C
2.30 Au 2.50 Ni 3.00 Au 4.00 Au	2.50C Au 4.00C Au	1.80 Ni/Rh	1.50 Ni	2.30 Au/Ni/Rh 2.50 Au/Ni/Rh 3.00 Au/Ni/Rh 4.00 Au/Ni/Rh



C6	D	D	D	D2
3.50 Au/Ni	1.00 Rh	1.80 Au	2.30 Au/Ni 2.50 Au/Ni	3.00 Au/Ni



D3	F	F	F3	G
0.80 Rh 1.40 Au	1.80 Au/Ni	2.30 Au/Rh 2.50 Rh 3.00 Au 4.00 Rh	1.00 Rh 1.40 Au	2.30 Rh 2.50 Ni/Rh 4.00 Au/Ni/Rh



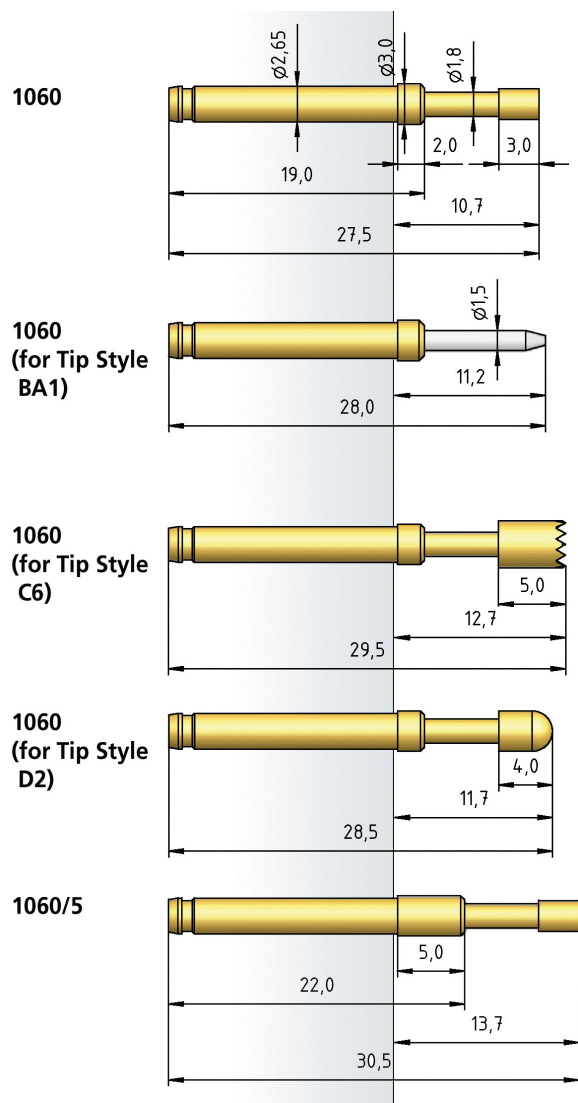
H	K	KF
2.50 Ni 2.60 Ni 3.00 Ni/Rh 4.20 Rh	1.80 Rh 3.00 Ni	2.60 Ni 4.00 Ni

How to Order

1060 - A6 - 1.5 N E - Au - 4.0 C
1 2 3 4 5 6 7

1. Series 2. Tip Style 3. Spring Force
 4. High Temperature 5. Tip Plating 6. Tip Diameter
 7. Tip Material (only for CuBe)

Series 1060



Receptacles 1060

