

Series 1055

- Stable design
- Height-adjustable installation by using receptacle with press ring
- Contacting of assembled PCBs
- Universal applications

Mechanical Data

Center	4.50 mm/177 mil
Temperature Range	-30 °C - +120 °C
Full Travel	6.40 mm
Working Travel	5.10 mm
Pre-loaded Spring Force	0.60/ 1.00 N
Spring Force at Working Travel	2.25/ 4.75 N

Electrical Data

Max. Current Rating	8.0 A
Typical Continuity Resistance	<= 20 mOhm

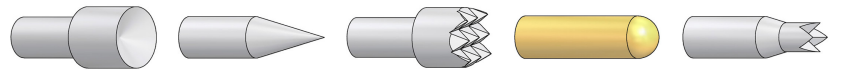
Materials

Barrel	Bronze, gold-plated
Spring	Spring Steel, gold-plated
Plunger	Steel, CuBe, gold-plated oder rhodium plated
Receptacle	Bronze, gold-plated

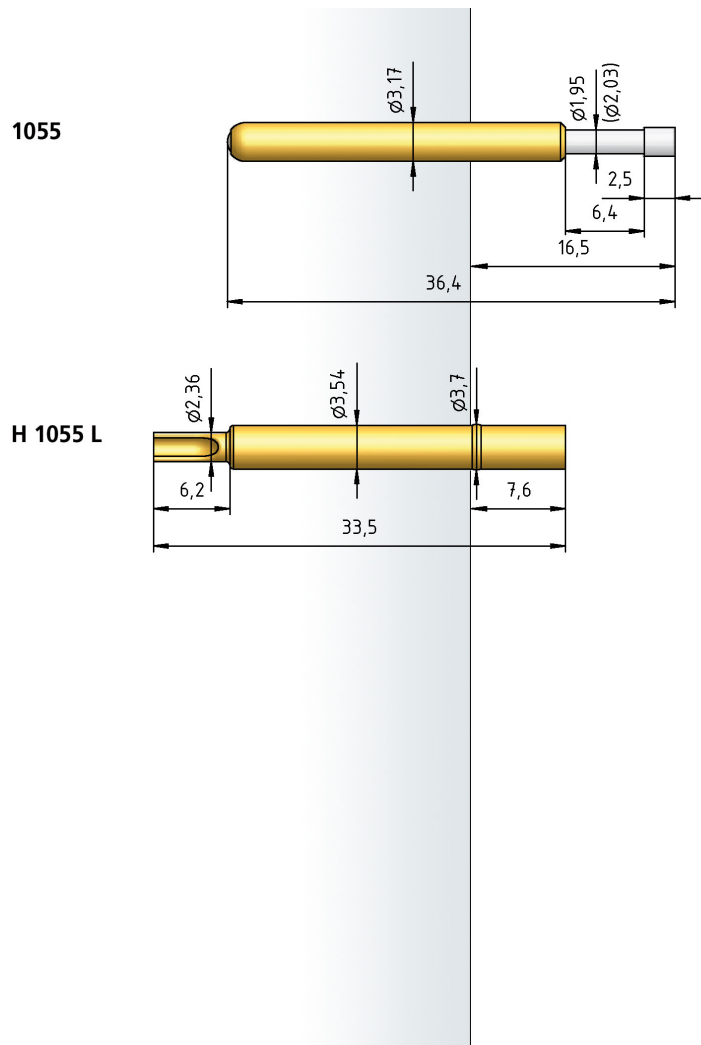
Recommended Diameter of Drill

HP 2361.1 (Trolitax)	3.54 mm
HGW 2372	3.60 mm

Tip style - Diameter - Plating



A	B	C	D2	G2
2.36 Rh	2.03 Rh	3.96 Rh	2.03C Au	1.30 Rh



How to Order

<u>1055</u>	-	<u>D2</u>	-	<u>2.25 N</u>	-	<u>Au</u>	-	<u>2.03</u>	<u>C</u>
1	2	3	4	5	6				

1. Series 2. Tip Style 3. Spring Force
4. Tip Plating 5. Tip Diameter 6. Tip Material (only for CuBe)