

AKZ840/..-6.35-V-GREEN






PTR

A Phoenix Mecano Brand

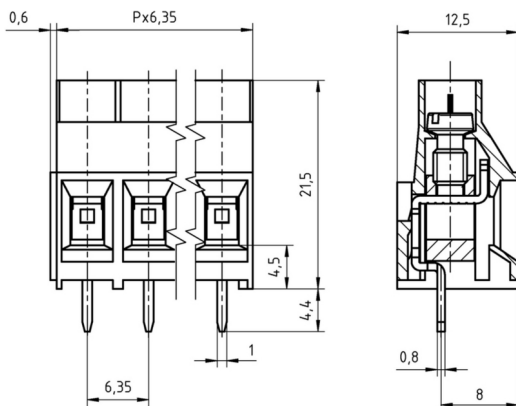
Technical Data

Wire sizes		Insulating Material	
Solid min	0.2 mm ²	Material	PA 6.6
Solid max	6.0 mm ²	Flammability Class	UL 94 V-0
Stranded (flexible) min	0.2mm ²	Temperatures	
Stranded (flexible) max	4.0 mm ²	Operating Temperature (without mech. load)	-40 °C - 105 °C
Stranded with Ferrule min	0.25 mm ²	Store Temperature	-40 °C - 105 °C
Stranded with Ferrule max	4.0 mm ²	Wave Soldering Process	
Dimensions		Soldering Temperature, recommended	260 °C
Stripped Length	7.0 mm	Peak Soldering Time, recommended	3-4 s
PCB Hole Diameter	1.6 mm	Reflow Process	
Materials		Soldering Temperature, recommended	-
Clamp	Brass	Peak Soldering Time, recommended	-
Screw	Steel		
Solder Tab	Brass		

Colours

	GREEN, RAL 6018
	LIGHT GREY, RAL 7035
	LIGHT GREEN, similar RAL 6018

Colours according to RAL, there may be variations on colour due to production conditions. Special colours on request.



Order Data (Spacing 6.35 mm)

Poles	Width (mm)	Article Designation	Article Number	PU
2	13.30	AKZ840/2-6.35-V-GREEN	50840020201 D	50
3	19.65	AKZ840/3-6.35-V-GREEN	50840030201 D	50
4	26.00	AKZ840/4-6.35-V-GREEN	50840040201 D	50
5	32.35	AKZ840/5-6.35-V-GREEN	50840050201 D	50
6	38.70	AKZ840/6-6.35-V-GREEN	50840060201 D	50
7	45.05	AKZ840/7-6.35-V-GREEN	50840070201 D	50
8	51.40	AKZ840/8-6.35-V-GREEN	50840080201 D	50
9	57.75	AKZ840/9-6.35-V-GREEN	50840090201 D	50
10	64.10	AKZ840/10-6.35-V-GREEN	50840100201 D	50
11	70.45	AKZ840/11-6.35-V-GREEN	50840110201 D	50
12	76.80	AKZ840/12-6.35-V-GREEN	50840120201 D	50
13	83.15	AKZ840/13-6.35-V-GREEN	50840130201 D	50
14	89.50	AKZ840/14-6.35-V-GREEN	50840140201 D	50
15	95.85	AKZ840/15-6.35-V-GREEN	50840150201 D	50
16	102.20	AKZ840/16-6.35-V-GREEN	50840160201 D	50

Ratings

UseGroup	cRU [®] US			VDE	
	B	C	D		
Rated Voltage	300 V	-	300 V	450 V	
Rated Current	30 A	-	10 A	32 A	
Rated Wire Size				min	max
- solid	AWG 28-10	-	AWG 28-10	0.2 mm ²	4.0 mm ²
- stranded	AWG 28-10	-	AWG 28-10	0.2 mm ²	4.0 mm ²
Torque	0.80 Nm	-	0.80 Nm	0.80 Nm	
Screw Size	M3.5	-	M3.5	M3.5	
Test Voltage	1.60 kV	-	1.60 kV	2.5 kV	