

AKZ350/..-5.08-V-GREEN-FP



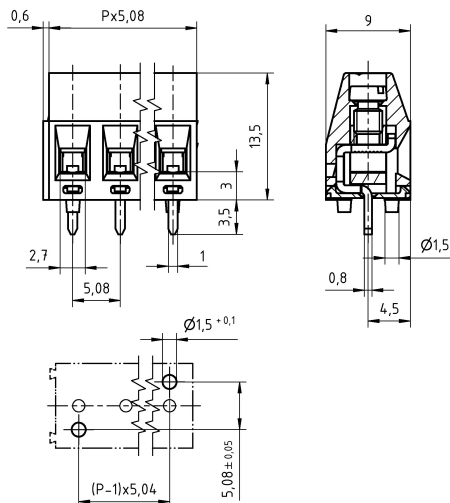
Technical Data

| Wire sizes | | Insulating Material | |
|---------------------------|----------------------|--|-----------------|
| Solid min | 0.14 mm ² | Material | PA 6.6 |
| Solid max | 2.5 mm ² | Flammability Class | UL 94 V-0 |
| Stranded (flexible) min | 0.14mm ² | Temperatures | |
| Stranded (flexible) max | 1.5 mm ² | Operating Temperature (without mech. load) | -40 °C - 105 °C |
| Stranded with Ferrule min | 0.25 mm ² | Store Temperature | -40 °C - 105 °C |
| Stranded with Ferrule max | 1.5 mm ² | Wave Soldering Process | |
| Dimensions | | Soldering Temperature, recommended | 260 °C |
| Stripped Length | 6.0 mm | Peak Soldering Time, recommended | 3-4 s |
| PCB Hole Diameter | 1.3 mm | Reflow Process | |
| Materials | | Soldering Temperature, recommended | - |
| Clamp | Brass | Peak Soldering Time, recommended | - |
| Screw | Steel | | |
| Solder Tab | Copper Alloy | | |

Colours

GREEN, RAL 6018




Colours according to RAL, there may be variations on colour due to production conditions. Special colours on request.



Order Data (Spacing 5.08 mm)

| Poles | Width (mm) | Article Designation | Article Number | PU |
|-------|------------|--------------------------|----------------|-----|
| 2 | 10.76 | AKZ350/2-5.08-V-GREEN-FP | 50350020017 F | 200 |
| 3 | 15.84 | AKZ350/3-5.08-V-GREEN-FP | 50350030017 F | 200 |

Accessoires

| Figure | Designation | Article Number |
|--|--|-------------------------|
|  | Bridge, 2-pole, insulated, BRI/2-5.0/5.08-LIGHT GREY | Order Data: 50000000006 |
|  | Bridge, 3-pole, insulated, BRI/3-5.0/5.08-LIGHT GREY | Order Data: 50000000007 |
|  | Bridge, 2-pole, BR/2-5.0/5.08-L7.0 | Order Data: 50000000008 |

Ratings

| UseGroup | cRU [®] US | | | VDE | |
|-----------------|---------------------|-----------|-----------|---------------------|---------------------|
| | B | C | D | | |
| Rated Voltage | 300 V | 150 V | 300 V | 250 V | |
| Rated Current | 15 A | 15 A | 10 A | 17.5 A | |
| Rated Wire Size | | | | min | max |
| - solid | AWG 22-12 | AWG 22-12 | AWG 22-12 | 0.5 mm ² | 2.5 mm ² |
| - stranded | AWG 22-12 | AWG 22-12 | AWG 22-12 | 0.5 mm ² | 1.5 mm ² |
| Torque | 0.50 Nm | 0.50 Nm | 0.50 Nm | 0.50 Nm | |
| Screw Size | M3 | M3 | M3 | M3 | |
| Test Voltage | 1.60 kV | 1.30 kV | 1.60 kV | 2.0 kV | |