

## AKZ300/..-10.16-GREY






A Phoenix Mecano Brand

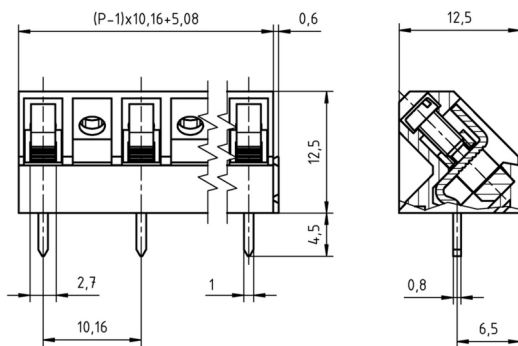
## Technical Data

Wire sizes		Insulating Material	
Solid min	0.14 mm <sup>2</sup>	Material	PA 6.6
Solid max	2.5 mm <sup>2</sup>	Flammability Class	UL 94 V-0
Stranded (flexible) min	0.14mm <sup>2</sup>	<b>Temperatures</b>	
Stranded (flexible) max	1.5 mm <sup>2</sup>	Operating Temperature (without mech. load)	-40 °C - 105 °C
Stranded with Ferrule min	0.25 mm <sup>2</sup>	Store Temperature	-40 °C - 105 °C
Stranded with Ferrule max	1.5 mm <sup>2</sup>	<b>Wave Soldering Process</b>	
<b>Dimensions</b>		Soldering Temperature, recommended	260 °C
Stripped Length	7.0 mm	Peak Soldering Time, recommended	3-4 s
PCB Hole Diameter	1.3 mm	<b>Reflow Process</b>	
<b>Materials</b>		Soldering Temperature, recommended	-
Clamp	Brass	Peak Soldering Time, recommended	-
Screw	Steel		
Solder Tab	Copper Alloy		

## Colours

	GREEN, RAL 6018
	GREY, RAL 7016
	BLUE, RAL 5015

Colours according to RAL, there may be variations on colour due to production conditions. Special colours on request.



## Order Data (Spacing 10.16 mm)

Poles	Width (mm)	Article Designation	Article Number	PU
2	15.84	AKZ300/2-10.16-GREY	50300020161 F	200
3	26.00	AKZ300/3-10.16-GREY	50300030161 F	200
4	36.16	AKZ300/4-10.16-GREY	50300040161 E	100
5	46.32	AKZ300/5-10.16-GREY	50300050161 E	100
6	56.48	AKZ300/6-10.16-GREY	50300060161 D	50

## Ratings

UseGroup	C <sub>R</sub> US			VDE	
	B	C	D		
Rated Voltage	300 V	150 V	300 V	1000 V	
Rated Current	15 A	15 A	-	24 A	
Rated Wire Size				min	max
- solid	AWG 22-12	AWG 22-12	AWG 22-12	0.5 mm <sup>2</sup>	2.5 mm <sup>2</sup>
- stranded	AWG 22-12	AWG 22-12	AWG 22-12	0.5 mm <sup>2</sup>	1.5 mm <sup>2</sup>
Torque	0.50 Nm	0.50 Nm	0.50 Nm	0.40 Nm	
Screw Size	M2.6	M2.6	M2.6	M2.6	
Test Voltage	1.60 kV	1.30 kV	1.60 kV	3.5 kV	