

AK700/..-5.0-V-GREEN-BR



- Connections internally jumpered

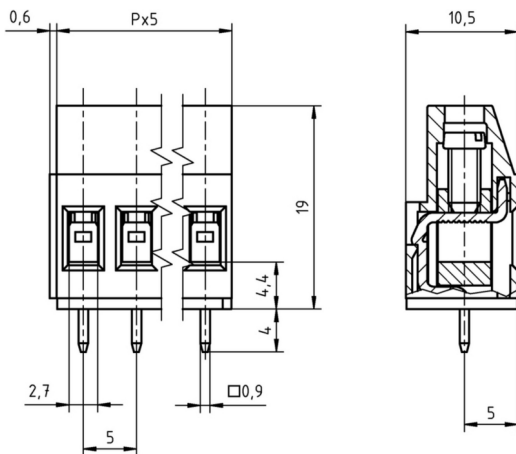
Technical Data

Wire sizes		Insulating Material	
Solid min	0.2 mm ²	Material	PA 6.6
Solid max	4.0 mm ²	Flammability Class	UL 94 V-0
Stranded (flexible) min	0.2mm ²	Temperatures	
Stranded (flexible) max	2.5 mm ²	Operating Temperature (without mech. load)	-40 °C - 105 °C
Stranded with Ferrule min	0.25 mm ²	Store Temperature	-40 °C - 105 °C
Stranded with Ferrule max	2.5 mm ²	Wave Soldering Process	
Dimensions		Soldering Temperature, recommended	260 °C
Stripped Length	8.0 mm	Peak Soldering Time, recommended	3-4 s
PCB Hole Diameter	1.3 mm	Reflow Process	
Materials		Soldering Temperature, recommended	-
Clamp	Brass	Peak Soldering Time, recommended	-
Screw	Steel		
Solder Tab	Copper Alloy		

Colours

GREEN, RAL 6018

Colours according to RAL, there may be variations on colour due to production conditions. Special colours on request.



Order Data (Spacing 5.0 mm)

Poles	Width (mm)	Article Designation	Article Number	PU
3	15.60	AK700/3-5.0-V-GREEN-BR	50700030045 F	200

Accessoires

Figure	Designation	Article Number
	Screw Cover SC-AK700-YELLOW	Order Data: 50700000004

Ratings

UseGroup					
	B	C	D	min	max
Rated Voltage	300 V	-	300 V	250 V	
Rated Current	20 A	-	10 A	24 A	
Rated Wire Size					
	- solid	AWG 30-12	-	AWG 30-12	0.5 mm ² 4.0 mm ²
	- stranded	AWG 30-12	-	AWG 30-12	0.5 mm ² 2.5 mm ²
Torque	0.45 Nm	-	0.45 Nm	0.50 Nm	
Screw Size	M3	-	M3	M3	
Test Voltage	1.60 kV	-	1.60 kV	2.0 kV	