

AK601/..-3.5-V-GREEN



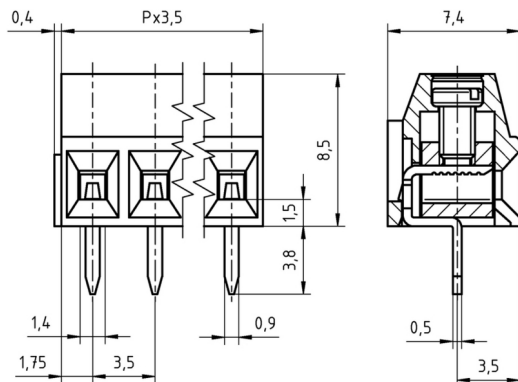
Technical Data

Wire sizes		Insulating Material	
Solid min	0.08 mm ²	Material	PA 6.6
Solid max	1.5 mm ²	Flammability Class	UL 94 V-0
Stranded (flexible) min	0.08mm ²	Temperatures	
Stranded (flexible) max	1.0 mm ²	Operating Temperature (without mech. load)	-40 °C - 105 °C
Stranded with Ferrule min	0.14 mm ²	Store Temperature	-40 °C - 105 °C
Stranded with Ferrule max	0.34 mm ²	Wave Soldering Process	
Dimensions		Soldering Temperature, recommended	260 °C
Stripped Length	6.0 mm	Peak Soldering Time, recommended	3-4 s
PCB Hole Diameter	1.2 mm	Reflow Process	
Materials		Soldering Temperature, recommended	-
Clamp	Brass	Peak Soldering Time, recommended	-
Screw	Steel		
Solder Tab	Brass		

Colours

	GREEN, RAL 6018
	LIGHT GREEN, similar RAL 6018

Colours according to RAL, there may be variations on colour due to production conditions. Special colours on request.



Order Data (Spacing 3.5 mm)

Poles	Width (mm)	Article Designation	Article Number	PU
2	7.40	AK601/2-3.5-V-GREEN	50601020001 F	200
3	10.90	AK601/3-3.5-V-GREEN	50601030001 F	200
4	14.40	AK601/4-3.5-V-GREEN	50601040001 F	200
5	17.90	AK601/5-3.5-V-GREEN	50601050001 F	200
6	21.40	AK601/6-3.5-V-GREEN	50601060001 E	100
7	24.90	AK601/7-3.5-V-GREEN	50601070001 E	100
8	28.40	AK601/8-3.5-V-GREEN	50601080001 E	100
9	31.90	AK601/9-3.5-V-GREEN	50601090001 E	100
10	35.40	AK601/10-3.5-V-GREEN	50601100001 D	50
11	38.90	AK601/11-3.5-V-GREEN	50601110001 D	50
12	42.40	AK601/12-3.5-V-GREEN	50601120001 D	50
13	45.90	AK601/13-3.5-V-GREEN	50601130001 D	50
14	49.40	AK601/14-3.5-V-GREEN	50601140001 D	50
15	52.90	AK601/15-3.5-V-GREEN	50601150001 D	50
16	56.40	AK601/16-3.5-V-GREEN	50601160001 D	50
17	59.90	AK601/17-3.5-V-GREEN	50601170001 D	50
18	63.40	AK601/18-3.5-V-GREEN	50601180001 D	50
19	66.90	AK601/19-3.5-V-GREEN	50601190001 D	50
20	70.40	AK601/20-3.5-V-GREEN	50601200001 D	50
21	73.90	AK601/21-3.5-V-GREEN	50601210001 D	50
22	77.40	AK601/22-3.5-V-GREEN	50601220001 D	50
23	80.90	AK601/23-3.5-V-GREEN	50601230001 D	50
24	84.40	AK601/24-3.5-V-GREEN	50601240001 D	50

Accessoires

Figure	Designation	Article Number
	Bridge, 2-pole, insulated, BRI/2-7.0/7.62-L7.5-LIGHT GREY	Order Data: 50000000018
	Bridge, 2-pole, angled, BR/2-3.5/3.81-H-L7.5	Order Data: 50000000029
	Bridge, 2-pole, BR/2-3.5/3.81-L7.5	Order Data: 50000000015
	Bridge, 3-pole, BR/3-3.5/3.81-L7.5	Order Data: 50000000016

Ratings

UseGroup	cRU [®] US			VDE	
	B	C	D		
Rated Voltage	150 V	-	-	130 V	
Rated Current	10 A	-	-	10 A	
Rated Wire Size				min	max
- solid	AWG 28-16	-	-	0.2 mm ²	1.0 mm ²
- stranded	AWG 28-16	-	-	0.2 mm ²	1.0 mm ²
Torque	0.20 Nm	-	-		0.20 Nm
Screw Size	M2	-	-		M2
Test Voltage	1.30 kV	-	-		1.25 kV