

AK590/..DS-5.0-GREY



A Phoenix Mecano Brand



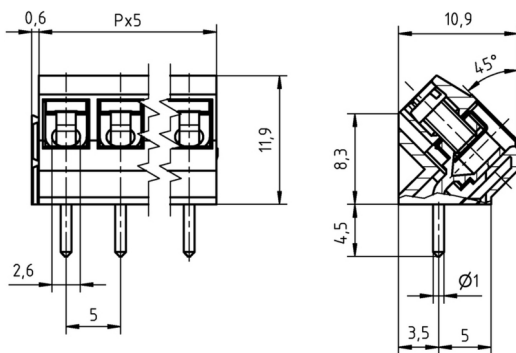
Technical Data

Wire sizes		Insulating Material	
Solid min	0.2 mm ²	Material	PA 6.6
Solid max	1.5 mm ²	Flammability Class	UL 94 V-0
Stranded (flexible) min	0.2mm ²	Temperatures	
Stranded (flexible) max	1.5 mm ²	Operating Temperature (without mech. load)	-40 °C - 105 °C
Stranded with Ferrule min	0.2 mm ²	Store Temperature	-40 °C - 105 °C
Stranded with Ferrule max	1.5 mm ²	Wave Soldering Process	
Dimensions		Soldering Temperature, recommended	260 °C
Stripped Length	6.0 mm	Peak Soldering Time, recommended	3-4 s
PCB Hole Diameter	1.3 mm	Reflow Process	
Materials		Soldering Temperature, recommended	-
Clamp	Brass	Peak Soldering Time, recommended	-
Wire Guard	Stainless Steel		
Screw	Steel		

Colours

	GREY, RAL 7016
	BLUE, RAL 5015
	LIGHT GREEN, similar RAL 6018

Colours according to RAL, there may be variations on colour due to production conditions. Special colours on request.



Order Data (Spacing 5.0 mm)

Poles	Width (mm)	Article Designation	Article Number	PU
2	10.60	AK590/2DS-5.0-GREY	50590020121 G	250
3	15.60	AK590/3DS-5.0-GREY	50590030121 G	250
4	20.60	AK590/4DS-5.0-GREY	50590040121 G	250
5	25.60	AK590/5DS-5.0-GREY	50590050121 G	250
6	30.60	AK590/6DS-5.0-GREY	50590060121 G	250
7	35.60	AK590/7DS-5.0-GREY	50590070121 G	250
8	40.60	AK590/8DS-5.0-GREY	50590080121 E	100
9	45.60	AK590/9DS-5.0-GREY	50590090121 E	100
10	50.60	AK590/10DS-5.0-GREY	50590100121 E	100
11	55.60	AK590/11DS-5.0-GREY	50590110121 E	100
12	60.60	AK590/12DS-5.0-GREY	50590120121 E	100

Accessoires

Figure	Designation	Article Number
	Bridge, 2-pole, insulated, BRI/2-5.0/5.08-LIGHT GREY	Order Data: 50000000006
	Bridge, 3-pole, insulated, BRI/3-5.0/5.08-LIGHT GREY	Order Data: 50000000007
	Bridge, 2-pole, BR/2-5.0/5.08-L7.0	Order Data: 50000000008

Ratings

UseGroup	C ^{RU} US			VDE	
	B	C	D		
Rated Voltage	300 V	-	300 V		250 V
Rated Current	15 A	-	10 A		17.5 A
Rated Wire Size				min	max
- solid	AWG 22-14	-	AWG 22-14	0.5 mm ²	1.5 mm ²
- stranded	AWG 22-14	-	AWG 22-14	0.5 mm ²	1.5 mm ²
Torque	0.40 Nm	-	0.40 Nm		0.40 Nm
Screw Size	M2.6	-	M2.6		M2.6
Test Voltage	1.60 kV	-	1.60 kV		2.0 kV