



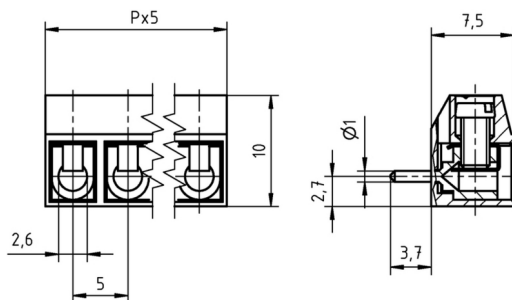
### Technical Data

Wire sizes		Insulating Material	
Solid min	0.2 mm <sup>2</sup>	Material	PA 6.6
Solid max	1.5 mm <sup>2</sup>	Flammability Class	UL 94 V-0
Stranded (flexible) min	0.2mm <sup>2</sup>	<b>Temperatures</b>	
Stranded (flexible) max	1.5 mm <sup>2</sup>	Operating Temperature (without mech. load)	-40 °C - 105 °C
Stranded with Ferrule min	0.2 mm <sup>2</sup>	Store Temperature	-40 °C - 105 °C
Stranded with Ferrule max	1.5 mm <sup>2</sup>	<b>Wave Soldering Process</b>	
<b>Dimensions</b>		Soldering Temperature, recommended	260 °C
Stripped Length	6.0 mm	Peak Soldering Time, recommended	3-4 s
PCB Hole Diameter	1.3 mm	<b>Reflow Process</b>	
<b>Materials</b>		Soldering Temperature, recommended	-
Clamp	Brass	Peak Soldering Time, recommended	-
Wire Guard	Stainless Steel		
Screw	Steel		

### Colours

GREY, RAL 7016

Colours according to RAL, there may be variations on colour due to production conditions. Special colours on request.



### Order Data (Spacing 5.0 mm)

Poles	Width (mm)	Article Designation	Article Number	PU
2	10.00	AK500/2DS-5.0-H-GREY-BL	50500023171 G	250
3	15.00	AK500/3DS-5.0-H-GREY-BL	50500033171 G	250
4	20.00	AK500/4DS-5.0-H-GREY-BL	50500043171 G	250
5	25.00	AK500/5DS-5.0-H-GREY-BL	50500053171 G	250
6	30.00	AK500/6DS-5.0-H-GREY-BL	50500063171 G	250
7	35.00	AK500/7DS-5.0-H-GREY-BL	50500073171 G	250
8	40.00	AK500/8DS-5.0-H-GREY-BL	50500083171 E	100
9	45.00	AK500/9DS-5.0-H-GREY-BL	50500093171 E	100
10	50.00	AK500/10DS-5.0-H-GREY-BL	50500103171 E	100
11	55.00	AK500/11DS-5.0-H-GREY-BL	50500113171 E	100
12	60.00	AK500/12DS-5.0-H-GREY-BL	50500123171 E	100

### Accessoires

Figure	Designation	Article Number
	Bridge, 2-pole, insulated, BRI/2-5.0/5.08-LIGHT GREY	Order Data: 50000000006
	Bridge, 3-pole, insulated, BRI/3-5.0/5.08-LIGHT GREY	Order Data: 50000000007
	Bridge, 2-pole, BR/2-5.0/5.08-L7.0	Order Data: 50000000008

### Ratings

UseGroup	C <sup>RU</sup> US			VDE	
	B	C	D		
Rated Voltage	300 V	-	300 V		250 V
Rated Current	15 A	-	10 A		17.5 A
Rated Wire Size				min	max
- solid	AWG 22-14	-	AWG 22-14	0.5 mm <sup>2</sup>	1.5 mm <sup>2</sup>
- stranded	AWG 22-14	-	AWG 22-14	0.5 mm <sup>2</sup>	1.5 mm <sup>2</sup>
Torque	0.40 Nm	-	0.40 Nm		0.40 Nm
Screw Size	M2.6	-	M2.6		M2.6
Test Voltage	1.60 kV	-	1.60 kV		2.0 kV