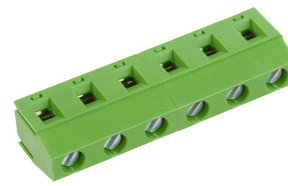


## AK360/..-15.0-H-GREEN



A Phoenix Mecano Brand

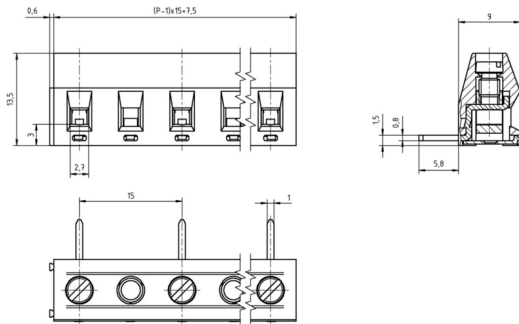
## Technical Data

Wire sizes		Insulating Material	
Solid min	0.14 mm <sup>2</sup>	Material	PA 6.6
Solid max	2.5 mm <sup>2</sup>	Flammability Class	UL 94 V-0
Stranded (flexible) min	0.14mm <sup>2</sup>	<b>Temperatures</b>	
Stranded (flexible) max	1.5 mm <sup>2</sup>	Operating Temperature (without mech. load)	-40 °C - 105 °C
Stranded with Ferrule min	0.25 mm <sup>2</sup>	Store Temperature	-40 °C - 105 °C
Stranded with Ferrule max	1.5 mm <sup>2</sup>	<b>Wave Soldering Process</b>	
<b>Dimensions</b>		Soldering Temperature, recommended	260 °C
Stripped Length	6.0 mm	Peak Soldering Time, recommended	3-4 s
PCB Hole Diameter	1.3 mm	<b>Reflow Process</b>	
<b>Materials</b>		Soldering Temperature, recommended	-
Clamp	Brass	Peak Soldering Time, recommended	-
Screw	Steel		
Solder Tab	Copper Alloy		

## Colours

GREEN, RAL 6018


Colours according to RAL, there may be variations on colour due to production conditions. Special colours on request.



## Order Data (Spacing 15.0 mm)

Poles	Width (mm)	Article Designation	Article Number	PU
2	23.10	AK360/2-15.0-H-GREEN	50360020205 F	200
3	38.10	AK360/3-15.0-H-GREEN	50360030205 E	100
4	53.10	AK360/4-15.0-H-GREEN	50360040205 E	100
5	68.10	AK360/5-15.0-H-GREEN	50360050205 E	100
6	83.10	AK360/6-15.0-H-GREEN	50360060205 D	50

## Accessoires

Figure	Designation	Article Number
	Bridge, 2-pole, insulated, BRI/2-7.5/7.62-L8.2-LIGHT GREY	Order Data: 50000000017

## Ratings

UseGroup	C <sup>®</sup> RW <sup>®</sup> US			VDE	
	B	C	D		
Rated Voltage	600 V	-	150 V	1000 V	
Rated Current	15 A	-	15 A	17.5 A	
Rated Wire Size				min	max
- solid	AWG 22-12	-	AWG 22-12	0.5 mm <sup>2</sup>	2.5 mm <sup>2</sup>
- stranded	AWG 22-12	-	AWG 22-12	0.5 mm <sup>2</sup>	1.5 mm <sup>2</sup>
Torque	0.50-0.60 Nm	-	0.50-0.60 Nm	0.50 Nm	
Screw Size	M3	-	M3	M3	
Test Voltage	2.20 kV	-	1.30 kV	3.5 kV	