

Series 1040

- Stable design
- Height-adjustable installation by using receptacle with press ring
- Contacting of assembled PCBs
- Universal applications

Mechanical Data

Center	4.00 mm/160 mil
Temperature Range	-30 °C - +120 °C
Full Travel	5.50 mm
Working Travel	4.40 mm
Pre-loaded Spring Force	0.50/ 0.70/ 0.80/ 1.50 N
Spring Force at Working Travel	1.50/ 2.25/ 3.00/ 5.00 N

Electrical Data

Max. Current Rating	5.0 A
Typical Continuity Resistance	<= 30 mOhm

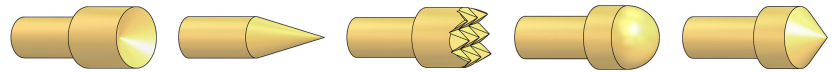
Materials

Barrel	Brass, gold-plated
Spring	Spring Steel, gold-plated
Plunger	Steel
Receptacle	Brass, gold-plated

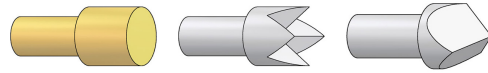
Recommended Diameter of Drill

HP 2361.1 (Trolitax)	2.99 mm
HGW 2372	3.00 mm

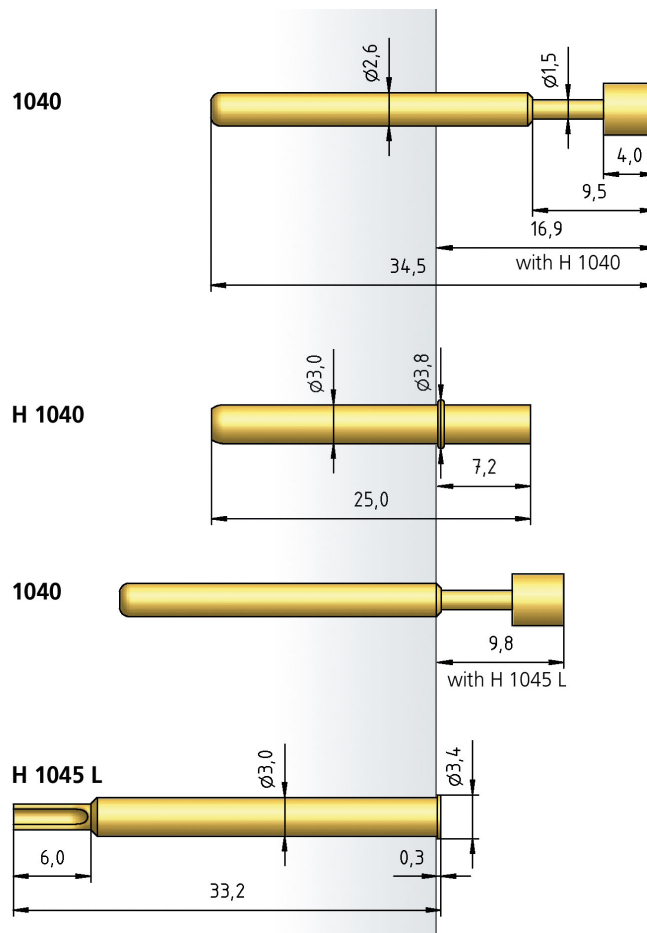
Tip style - Diameter - Plating



A	B	C	D	E
4.00 Au/Ni	1.50 Au/Ni	4.00 Au/Ni	2.40 Au/Ni	4.00 Au/Ni



F	G	H
4.00 Au/Ni	4.00 Ni	4.00 Ni



How to Order

1040 - F - 1.5 N - Au - 4.0

1 2 3 4 5

1. Series 2. Tip Style 3. Spring Force
4. Tip Plating 5. Tip Diameter