

AK2200/..-7.5-V-GREEN

- 2 to n poles



A Phoenix Mecano Brand

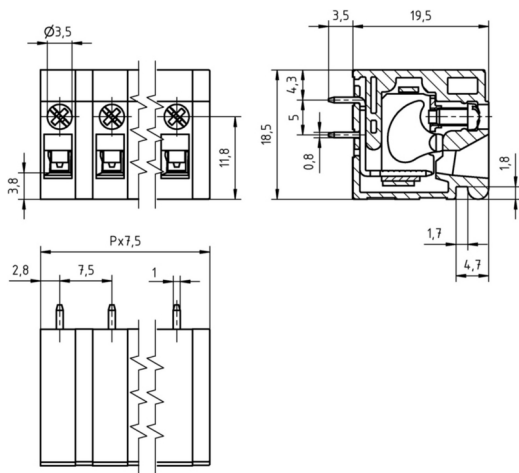
Technical Data

Wire sizes		Insulating Material	
Solid min	0.2 mm ²	Material	PA 6.6
Solid max	4.0 mm ²	Flammability Class	UL 94 V-0
Stranded (flexible) min	0.2mm ²	Temperatures	
Stranded (flexible) max	2.5 mm ²	Operating Temperature (without mech. load)	-40 °C - 105 °C
Stranded with Ferrule min	0.25 mm ²	Store Temperature	-40 °C - 105 °C
Stranded with Ferrule max	2.5 mm ²	Wave Soldering Process	
Dimensions		Soldering Temperature, recommended	260 °C
Stripped Length	9.0 mm	Peak Soldering Time, recommended	3-4 s
PCB Hole Diameter	1.3 mm	Reflow Process	
Materials		Soldering Temperature, recommended	-
Screw	Steel	Peak Soldering Time, recommended	-
Solder Tab	Copper Alloy		
Clamp Cage	Steel		
Excenter	Steel		

Colours

- GREEN, RAL 6018
- BLACK, RAL 9011
- LIGHT GREEN, similar RAL 6018


Colours according to RAL, there may be variations on colour due to production conditions. Special colours on request.



Order Data (Spacing 7.5 mm)

Poles	Width (mm)	Article Designation	Article Number	PU
2	15.00	AK2200/2-7.5-V-GREEN	52200020021 D	50
3	22.50	AK2200/3-7.5-V-GREEN	52200030021 D	50
4	30.00	AK2200/4-7.5-V-GREEN	52200040021 D	50
5	37.50	AK2200/5-7.5-V-GREEN	52200050021 D	50
6	45.00	AK2200/6-7.5-V-GREEN	52200060021 D	50
7	52.50	AK2200/7-7.5-V-GREEN	52200070021 D	50
8	60.00	AK2200/8-7.5-V-GREEN	52200080021 D	50
9	67.50	AK2200/9-7.5-V-GREEN	52200090021 D	50
10	75.00	AK2200/10-7.5-V-GREEN	52200100021 D	50
11	82.50	AK2200/11-7.5-V-GREEN	52200110021 D	50
12	90.00	AK2200/12-7.5-V-GREEN	52200120021 D	50

Accessoires

Figure	Designation	Article Number
	Spacer SPC-AK2200-GREEN	Order Data: 52200000002

Ratings

UseGroup	C ^{RU} US			VDE	
	B	C	D		
Rated Voltage	300 V	150 V	300 V	450 V	
Rated Current	20 A	20 A	10 A	24 A	
Rated Wire Size				min	max
	- solid	AWG 30-12	AWG 30-12	AWG 30-12	0.5 mm ² / 2.5 mm ²
	- stranded	AWG 30-12	AWG 30-12	AWG 30-12	0.5 mm ² / 2.5 mm ²
Torque	0.50 - 0.60 Nm	0.50 - 0.60 Nm	0.50 - 0.60 Nm	0.50 Nm	
Screw Size	M2.5	M2.5	M2.5	M2.5	
Test Voltage	1.60 kV	1.30 kV	1.60 kV	2.5 kV	