

AK2200/..-10.0-V-GREEN

- 2 to n poles



A Phoenix Mecano Brand

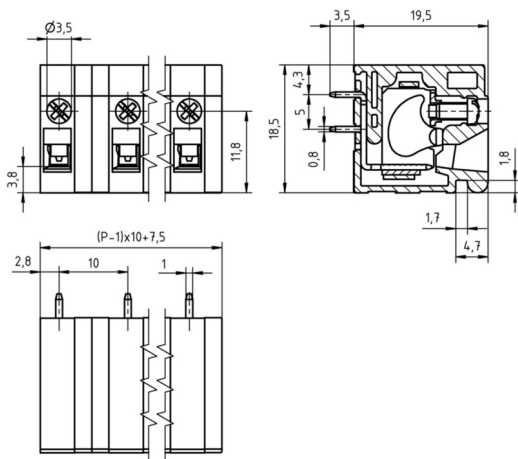
Technical Data

Wire sizes		Insulating Material	
Solid min	0.2 mm ²	Material	PA 6.6
Solid max	4.0 mm ²	Flammability Class	UL 94 V-0
Stranded (flexible) min	0.2mm ²	Temperatures	
Stranded (flexible) max	2.5 mm ²	Operating Temperature (without mech. load)	-40 °C - 105 °C
Stranded with Ferrule min	0.25 mm ²	Store Temperature	-40 °C - 105 °C
Stranded with Ferrule max	2.5 mm ²	Wave Soldering Process	
Dimensions		Soldering Temperature, recommended	260 °C
Stripped Length	9.0 mm	Peak Soldering Time, recommended	3-4 s
PCB Hole Diameter	1.3 mm	Reflow Process	
Materials		Soldering Temperature, recommended	-
Screw	Steel	Peak Soldering Time, recommended	-
Solder Tab	Copper Alloy		
Clamp Cage	Steel		
Excenter	Steel		

Colours

	GREEN, RAL 6018
	BLACK, RAL 9011
	LIGHT GREEN, similar RAL 6018

Colours according to RAL, there may be variations on colour due to production conditions. Special colours on request.



Order Data (Spacing 10.0 mm)

Poles	Width (mm)	Article Designation	Article Number	PU
2	17.50	AK2200/2-10.0-V-GREEN	52200020041 D	50
3	27.50	AK2200/3-10.0-V-GREEN	52200030041 D	50
4	37.50	AK2200/4-10.0-V-GREEN	52200040041 D	50
5	47.50	AK2200/5-10.0-V-GREEN	52200050041 D	50
6	57.50	AK2200/6-10.0-V-GREEN	52200060041 D	50
7	67.50	AK2200/7-10.0-V-GREEN	52200070041 D	50
8	77.50	AK2200/8-10.0-V-GREEN	52200080041 D	50
9	87.50	AK2200/9-10.0-V-GREEN	52200090041 D	50
10	97.50	AK2200/10-10.0-V-GREEN	52200100041 D	50
11	107.50	AK2200/11-10.0-V-GREEN	52200110041 D	50
12	117.50	AK2200/12-10.0-V-GREEN	52200120041 D	50

Accessoires

Figure	Designation	Article Number
	Spacer SPC-AK2200-GREEN	Order Data: 52200000002

Ratings

UseGroup	C ^{RU} US			VDE		
	B	C	D			
Rated Voltage	600 V	-	600 V	1000 V		
Rated Current	20 A	-	5 A	24 A		
Rated Wire Size					min	max
- solid	AWG 30-12	-	AWG 30-12	0.5 mm ²	2.5 mm ²	
- stranded	AWG 30-12	-	AWG 30-12	0.5 mm ²	2.5 mm ²	
Torque	0.50 - 0.60 Nm	-	0.50 - 0.60 Nm	0.50 Nm		
Screw Size	M2.5	-	M2.5	M2.5		
Test Voltage	2.20 kV	-	2.20 kV	3.5 kV		