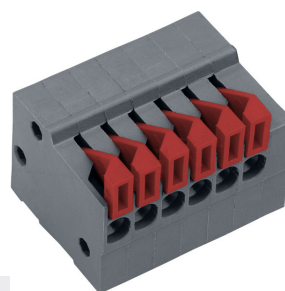


AKZ4791/..KD-2.54-H-BASALTGREY

- 1 to n poles






A Phoenix Mecano Brand

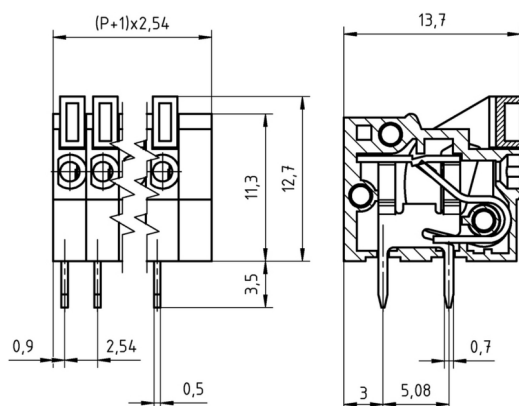
Technical Data

| Wire sizes | | Insulating Material | |
|---------------------------|----------------------|--|-----------------|
| Solid min | 0.14 mm ² | Material | PBT |
| Solid max | 0.75 mm ² | Flammability Class | UL 94 V-0 |
| Stranded (flexible) min | 0.14mm ² | Temperatures | |
| Stranded (flexible) max | 0.75 mm ² | Operating Temperature (without mech. load) | -40 °C - 105 °C |
| Stranded with Ferrule min | 0.14 mm ² | Store Temperature | -40 °C - 105 °C |
| Stranded with Ferrule max | 0.14 mm ² | Wave Soldering Process | |
| Dimensions | | Soldering Temperature, recommended | 260 °C |
| Stripped Length | 10.0 mm | Peak Soldering Time, recommended | 3-4 s |
| PCB Hole Diameter | 1.2 mm | Reflow Process | |
| Materials | | Soldering Temperature, recommended | - |
| Solder Tab | Brass | Peak Soldering Time, recommended | - |
| Clamp Spring | Stainless Steel | | |

Colours

| | |
|---|-------------------------------|
|  | BASALT GREY, RAL 7012 |
|  | GREEN, RAL 6018 |
|  | LIGHT GREEN, similar RAL 6018 |

Colours according to RAL, there may be variations on colour due to production conditions. Special colours on request.



Order Data (Spacing 2.54 mm)

| Poles | Width (mm) | Article Designation | Article Number | PU |
|-------|------------|--------------------------------|----------------|-----|
| 1 | 5.08 | AKZ4791/1KD-2.54-H-BASALTGREY | 54791010422 G | 250 |
| 2 | 7.62 | AKZ4791/2KD-2.54-H-BASALTGREY | 54791020422 F | 200 |
| 3 | 10.16 | AKZ4791/3KD-2.54-H-BASALTGREY | 54791030422 F | 200 |
| 4 | 12.70 | AKZ4791/4KD-2.54-H-BASALTGREY | 54791040422 F | 200 |
| 5 | 15.24 | AKZ4791/5KD-2.54-H-BASALTGREY | 54791050422 E | 100 |
| 6 | 17.78 | AKZ4791/6KD-2.54-H-BASALTGREY | 54791060422 E | 100 |
| 7 | 20.32 | AKZ4791/7KD-2.54-H-BASALTGREY | 54791070422 E | 100 |
| 8 | 22.86 | AKZ4791/8KD-2.54-H-BASALTGREY | 54791080422 D | 50 |
| 9 | 25.40 | AKZ4791/9KD-2.54-H-BASALTGREY | 54791090422 D | 50 |
| 10 | 27.94 | AKZ4791/10KD-2.54-H-BASALTGREY | 54791100422 D | 50 |
| 11 | 30.48 | AKZ4791/11KD-2.54-H-BASALTGREY | 54791110422 D | 50 |
| 12 | 33.02 | AKZ4791/12KD-2.54-H-BASALTGREY | 54791120422 D | 50 |

Ratings

| UseGroup | C ^{RU} US | | | VDE | |
|-----------------|--------------------|---|---|---------------------|----------------------|
| | B | C | D | | |
| Rated Voltage | 150 V | - | - | 130 V | |
| Rated Current | 6 A | - | - | 9 A | |
| Rated Wire Size | | | | min | max |
| - solid | AWG 26-18 | - | - | 0.2 mm ² | 0.75 mm ² |
| - stranded | AWG 26-18 | - | - | 0.2 mm ² | 0.75 mm ² |
| Test Voltage | 1.30 kV | - | - | 1.25 kV | |