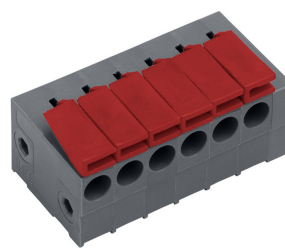


Push-In | Spacing 3.81 mm

# AKZ4701/..KD-3.81-H-BASALTGREY






A Phoenix Mecano Brand

- 1 to n poles

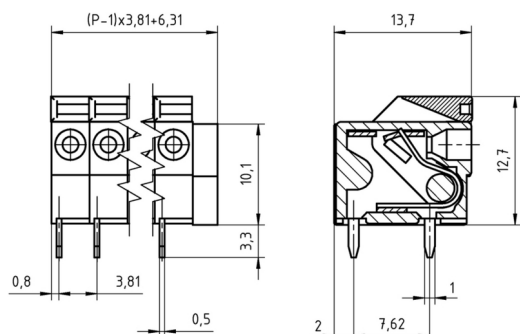
## Technical Data

Wire sizes		Insulating Material	
Solid min	0.14 mm <sup>2</sup>	Material	PBT
Solid max	1.5 mm <sup>2</sup>	Flammability Class	UL 94 V-0
Stranded (flexible) min	0.14mm <sup>2</sup>	<b>Temperatures</b>	
Stranded (flexible) max	1.5 mm <sup>2</sup>	Operating Temperature (without mech. load)	-40 °C - 105 °C
Stranded with Ferrule min	0.14 mm <sup>2</sup>	Store Temperature	-40 °C - 105 °C
Stranded with Ferrule max	0.34 mm <sup>2</sup>	<b>Wave Soldering Process</b>	
<b>Dimensions</b>		Soldering Temperature, recommended	260 °C
Stripped Length	10.0 mm	Peak Soldering Time, recommended	3-4 s
PCB Hole Diameter	1.4 mm	<b>Reflow Process</b>	
<b>Materials</b>		Soldering Temperature, recommended	-
Solder Tab	Brass	Peak Soldering Time, recommended	-
Clamp Spring	Stainless Steel		

## Colours

	BASALT GREY, RAL 7012
	GREEN, RAL 6018
	LIGHT GREEN, similar RAL 6018

Colours according to RAL, there may be variations on colour due to production conditions. Special colours on request.



## Order Data (Spacing 3.81 mm)

Poles	Width (mm)	Article Designation	Article Number	PU
1	6.31	AKZ4701/1KD-3.81-H-BASALTGREY	54701010422 G	250
2	10.12	AKZ4701/2KD-3.81-H-BASALTGREY	54701020422 F	200
3	13.93	AKZ4701/3KD-3.81-H-BASALTGREY	54701030422 F	200
4	17.74	AKZ4701/4KD-3.81-H-BASALTGREY	54701040422 F	200
5	21.55	AKZ4701/5KD-3.81-H-BASALTGREY	54701050422 E	100
6	25.36	AKZ4701/6KD-3.81-H-BASALTGREY	54701060422 E	100
7	29.17	AKZ4701/7KD-3.81-H-BASALTGREY	54701070422 E	100
8	32.98	AKZ4701/8KD-3.81-H-BASALTGREY	54701080422 D	50
9	36.79	AKZ4701/9KD-3.81-H-BASALTGREY	54701090422 D	50
10	40.60	AKZ4701/10KD-3.81-H-BASALTGREY	54701100422 D	50
11	44.41	AKZ4701/11KD-3.81-H-BASALTGREY	54701110422 D	50
12	48.22	AKZ4701/12KD-3.81-H-BASALTGREY	54701120422 D	50

## Ratings



UseGroup	B	C	D		
Rated Voltage	300 V	-	300 V	130 V	
Rated Current	6 A	-	6 A	12 A	
Rated Wire Size				min	max
- solid	AWG 26-16	-	AWG 26-16	0.2 mm <sup>2</sup>	1.5 mm <sup>2</sup>
- stranded	AWG 26-16	-	AWG 26-16	0.2 mm <sup>2</sup>	1.5 mm <sup>2</sup>
Test Voltage	1.60 kV	-	1.60 kV	1.25 kV	