

AK4601/..KD-3.5-H-P3.3-BK-HT



- Pin length 1.5 mm also available

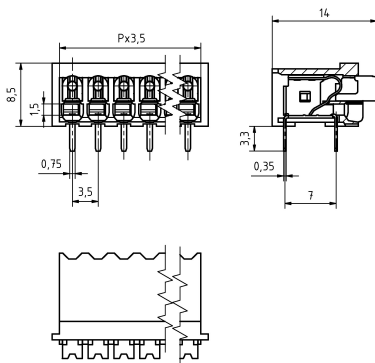
Technical Data

Wire sizes		Insulating Material	
Solid min	0.2 mm ²	Material	PA
Solid max	1.5 mm ²	Flammability Class	UL 94 V-0
Stranded (flexible) min	0.2mm ²	Temperatures	
Stranded (flexible) max	1.5 mm ²	Operating Temperature (without mech. load)	-40 °C - 105 °C
Stranded with Ferrule min	0.25 mm ²	Store Temperature	-40 °C - 105 °C
Stranded with Ferrule max	0.75 mm ²	Wave Soldering Process	
Dimensions		Soldering Temperature, recommended	260 °C
Stripped Length	8.0 mm	Peak Soldering Time, recommended	3-4 s
PCB Hole Diameter	1.2 mm	Reflow Process	
Materials		Soldering Temperature, recommended	217 - 245 °C
Solder Tab	Copper Alloy	Peak Soldering Time, recommended	60 s
Clamp Spring	Stainless Steel		

Colours

BLACK, RAL 9011

Colours according to RAL, there may be variations on colour due to production conditions.



Order Data (Spacing 3.5 mm)

Poles	Width (mm)	Article Designation	Article Number	PU
2	7.00	AK4601/2KD-3.5-H-P3.3-BK-HT	54601020302 G	250
3	10.50	AK4601/3KD-3.5-H-P3.3-BK-HT	54601030302 F	200
4	14.00	AK4601/4KD-3.5-H-P3.3-BK-HT	54601040302 F	200
5	17.50	AK4601/5KD-3.5-H-P3.3-BK-HT	54601050302 F	200
6	21.00	AK4601/6KD-3.5-H-P3.3-BK-HT	54601060302 E	100
7	24.50	AK4601/7KD-3.5-H-P3.3-BK-HT	54601070302 E	100
8	28.00	AK4601/8KD-3.5-H-P3.3-BK-HT	54601080302 E	100
9	31.50	AK4601/9KD-3.5-H-P3.3-BK-HT	54601090302 D	50
10	35.00	AK4601/10KD-3.5-H-P3.3-BK-HT	54601100302 D	50
11	38.50	AK4601/11KD-3.5-H-P3.3-BK-HT	54601110302 D	50
12	42.00	AK4601/12KD-3.5-H-P3.3-BK-HT	54601120302 D	50

Ratings

UseGroup	cRU [*] US			DVE [*]		
	B	C	D			
Rated Voltage	300 V	-	300 V	160 V		
Rated Current	12 A	-	10 A	17.5 A		
Rated Wire Size	min					max
- solid	AWG 24-16	-	AWG 24-16	0.2 mm ²	1.5 mm ²	
- stranded	AWG 24-16	-	AWG 24-16	0.2 mm ²	1.5 mm ²	
Test Voltage	1.60 kV	-	1.60 kV	2.5 kV		

* Approval Pending