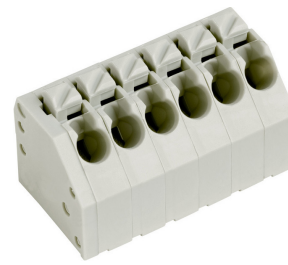


AK4291/..KD-3.5-PEBBLE GREY

- 1 to n poles



A Phoenix Mecano Brand

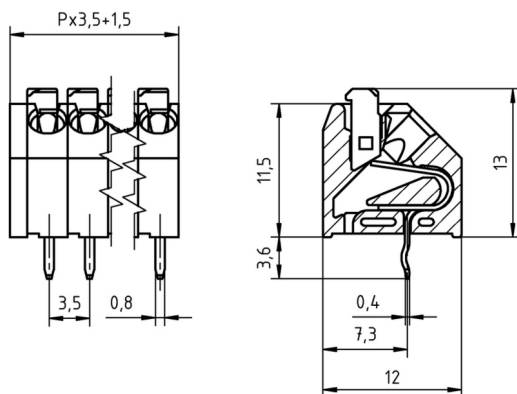
Technical Data

Wire sizes		Insulating Material	
Solid min	0.08 mm ²	Material	PA 6.6
Solid max	1.5 mm ²	Flammability Class	UL 94 V-0
Stranded (flexible) min	0.14mm ²	Temperatures	
Stranded (flexible) max	1.0 mm ²	Operating Temperature (without mech. load)	-40 °C - 105 °C
Stranded with Ferrule min	0.14 mm ²	Store Temperature	-40 °C - 105 °C
Stranded with Ferrule max	0.5 mm ²	Wave Soldering Process	
Dimensions		Soldering Temperature, recommended	260 °C
Stripped Length	9.0 mm	Peak Soldering Time, recommended	3-4 s
PCB Hole Diameter	1.0 mm	Reflow Process	
Materials		Soldering Temperature, recommended	-
Contact Tag	Copper Alloy	Peak Soldering Time, recommended	-

Colours

	PEBBLE GREY, RAL 7032
	ORANGE, RAL 2011
	BLUE, RAL 5015
	LIGHT GREEN, similar RAL 6018

Colours according to RAL, there may be variations on colour due to production conditions. Special colours on request.



Order Data (Spacing 3.5 mm)

Poles	Width (mm)	Article Designation	Article Number	PU
1	5.00	AK4291/1KD-3.5-PEBBLE GREY	54291010001 G	250
2	8.50	AK4291/2KD-3.5-PEBBLE GREY	54291020001 F	200
3	12.00	AK4291/3KD-3.5-PEBBLE GREY	54291030001 F	200
4	15.50	AK4291/4KD-3.5-PEBBLE GREY	54291040001 F	200
5	19.00	AK4291/5KD-3.5-PEBBLE GREY	54291050001 E	100
6	22.50	AK4291/6KD-3.5-PEBBLE GREY	54291060001 E	100
7	26.00	AK4291/7KD-3.5-PEBBLE GREY	54291070001 E	100
8	29.50	AK4291/8KD-3.5-PEBBLE GREY	54291080001 D	50
9	33.00	AK4291/9KD-3.5-PEBBLE GREY	54291090001 D	50
10	36.50	AK4291/10KD-3.5-PEBBLE GREY	54291100001 D	50
11	40.00	AK4291/11KD-3.5-PEBBLE GREY	54291110001 D	50
12	43.50	AK4291/12KD-3.5-PEBBLE GREY	54291120001 D	50

Accessoires

Figure	Designation	Article Number
	Spacer SPC-AK4291-PEBBLE GREY	Order Data: 54291000000
	Bridge, 2-pole, insulated, BRI/2-7.0/7.62-L7.5-LIGHT GREY	Order Data: 50000000018
	Bridge, 2-pole, BR/2-3.5/3.81-L7.5	Order Data: 50000000015
	Bridge, 3-pole, BR/3-3.5/3.81-L7.5	Order Data: 50000000016
	Bridge, 2-pole, angled, BR/2-3.5/3.81-H-L7.5	Order Data: 50000000029

Ratings

UseGroup	C ^{RU} US			VDE	
	B	C	D		
Rated Voltage	300 V	-	-	130 V	
Rated Current	6 A	-	-	3 A	
Rated Wire Size				min	max
- solid	AWG 22-16	-	-	0.2 mm ²	0.75 mm ²
- stranded	-	-	-	-	-
Test Voltage	1.60 kV	-	-	2.0 kV	