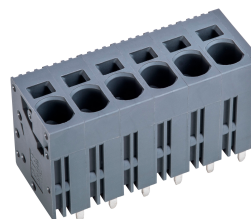


AK4210/..-7.5-V-BAGY

- 1 to n poles



A Phoenix Mecano Brand



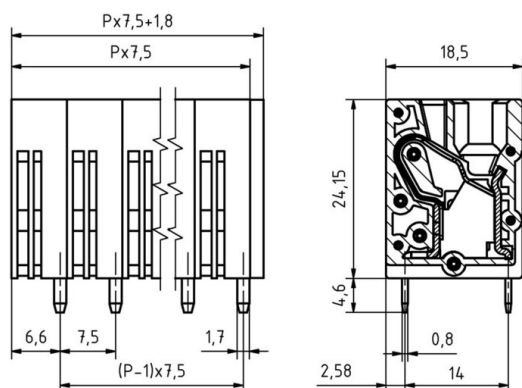
Technical Data

Wire sizes		Insulating Material	
Solid min	0.2 mm ²	Material	PA 6.6
Solid max	10.0 mm ²	Flammability Class	UL 94 V-0
Stranded (flexible) min	0.2mm ²	Temperatures	
Stranded (flexible) max	6.0 mm ²	Operating Temperature (without mech. load)	-40 °C - 105 °C
Stranded with Ferrule min	0.25 mm ²	Store Temperature	-40 °C - 105 °C
Stranded with Ferrule max	6.0 mm ²	Wave Soldering Process	
Dimensions		Soldering Temperature, recommended	260 °C
Stripped Length	15.0 mm	Peak Soldering Time, recommended	3-4 s
PCB Hole Diameter	2.1 mm	Reflow Process	
Materials		Soldering Temperature, recommended	-
Solder Tab	Copper Alloy	Peak Soldering Time, recommended	-
Clamp Spring	Stainless Steel		

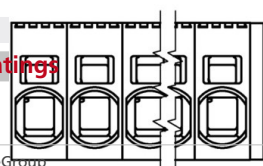
Colours

	BASALT GREY, RAL 7012
	TRAFFIC GREY, RAL 7042
	BLACK, RAL 9011
	LIGHT GREEN, similar RAL 6018
	GREEN, RAL 6018
	GREEN/YELLOW, RAL 6018 - 1018/5
	BLUE, RAL 5015

Colours according to RAL, there may be variations on colour due to production conditions. Special colours on request.



Rating



Use Group	cRU [®] US			VDE	
	B	C	D		
Rated Voltage	300 V	300 V	300 V	450 V	
Rated Current	35 A	35 A	10 A	41 A	
Overtoltage Category				III	
Rated Wire Size				min	max
- solid	AWG 24-8	AWG 24-8	AWG 24-8	0.2 mm ²	10.0 mm ²
- stranded	AWG 24-8	AWG 24-8	AWG 24-8	0.2 mm ²	6.0 mm ²
Test Voltage	1.60 kV	1.60 kV	1.60 kV	2.5 kV	

Order Data (Spacing 7.5 mm)

Poles	Width (mm)	Article Designation	Article Number	PU
1	9.25	AK4210/1-7.5-V-baGY	54210010521 E	100
2	16.75	AK4210/2-7.5-V-baGY	54210020521 D	50
3	24.25	AK4210/3-7.5-V-baGY	54210030521 D	50
4	31.75	AK4210/4-7.5-V-baGY	54210040521 D	50
5	39.25	AK4210/5-7.5-V-baGY	54210050521 D	50
6	46.75	AK4210/6-7.5-V-baGY	54210060521 D	50
7	54.25	AK4210/7-7.5-V-baGY	54210070521 D	50
8	61.75	AK4210/8-7.5-V-baGY	54210080521 D	50
9	69.25	AK4210/9-7.5-V-baGY	54210090521 D	50
10	76.75	AK4210/10-7.5-V-baGY	54210100521 D	50
11	84.25	AK4210/11-7.5-V-baGY	54210110521 D	50
12	91.75	AK4210/12-7.5-V-baGY	54210120521 D	50

Accessoires

Figure	Designation	Article Number
	Spacer SPC-AK4210-V-baGY	Order Data: 54210000001