

AK4210/..-7.5-H-BAGY

- 1 to n poles



A Phoenix Mecano Brand

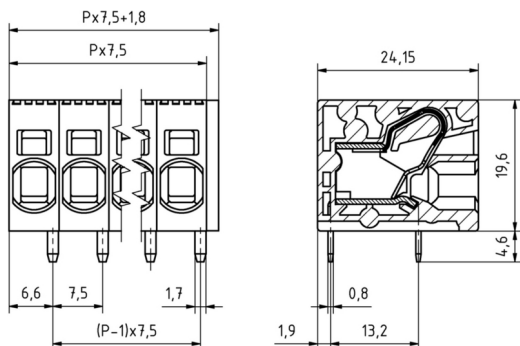
Technical Data

Wire sizes		Insulating Material	
Solid min	0.2 mm ²	Material	PA 6.6
Solid max	10.0 mm ²	Flammability Class	UL 94 V-0
Stranded (flexible) min	0.2mm ²	Temperatures	
Stranded (flexible) max	6.0 mm ²	Operating Temperature (without mech. load)	-40 °C - 105 °C
Stranded with Ferrule min	0.25 mm ²	Store Temperature	-40 °C - 105 °C
Stranded with Ferrule max	6.0 mm ²	Wave Soldering Process	
Dimensions		Soldering Temperature, recommended	260 °C
Stripped Length	15.0 mm	Peak Soldering Time, recommended	3-4 s
PCB Hole Diameter	2.1 mm	Reflow Process	
Materials		Soldering Temperature, recommended	-
Solder Tab	Copper Alloy	Peak Soldering Time, recommended	-
Clamp Spring	Stainless Steel		

Colours

	BASALT GREY, RAL 7012
	BLACK, RAL 9011
	LIGHT GREEN, similar RAL 6018
	GREEN, RAL 6018
	BLUE, RAL 5015

Colours according to RAL, there may be variations on colour due to production conditions. Special colours on request.



Order Data (Spacing 7.5 mm)

Poles	Width (mm)	Article Designation	Article Number	PU
1	9.25	AK4210/1-7.5-H-baGY	54210010551 E	100
2	16.75	AK4210/2-7.5-H-baGY	54210020551 D	50
3	24.25	AK4210/3-7.5-H-baGY	54210030551 D	50
4	31.75	AK4210/4-7.5-H-baGY	54210040551 D	50
5	39.25	AK4210/5-7.5-H-baGY	54210050551 D	50
6	46.75	AK4210/6-7.5-H-baGY	54210060551 D	50
7	54.25	AK4210/7-7.5-H-baGY	54210070551 D	50
8	61.75	AK4210/8-7.5-H-baGY	54210080551 D	50
9	69.25	AK4210/9-7.5-H-baGY	54210090551 D	50
10	76.75	AK4210/10-7.5-H-baGY	54210100551 D	50
11	84.25	AK4210/11-7.5-H-baGY	54210110551 D	50
12	91.75	AK4210/12-7.5-H-baGY	54210120551 D	50

Accessoires

Figure	Designation	Article Number
	Spacer SPC-AK4210-H-baGY	Order Data: 54210000000

Ratings

UseGroup	cRU [®] US			VDE	
	B	C	D		
Rated Voltage	300 V	300 V	300 V	450 V	
Rated Current	35 A	35 A	10 A	41 A	
Overvoltage Category				III	
Rated Wire Size				min	max
- solid	AWG 24-8	AWG 24-8	AWG 24-8	0.2 mm ²	10.0 mm ²
- stranded	AWG 24-8	AWG 24-8	AWG 24-8	0.2 mm ²	6.0 mm ²
Test Voltage	1.60 kV	1.60 kV	1.60 kV	2.5 kV	