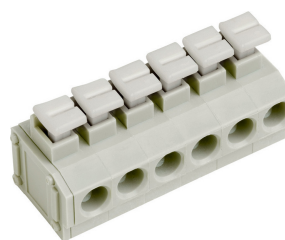


# AK4101/..KD-10.0-PEBBLE GREY

- 2 to n poles



A Phoenix Mecano Brand

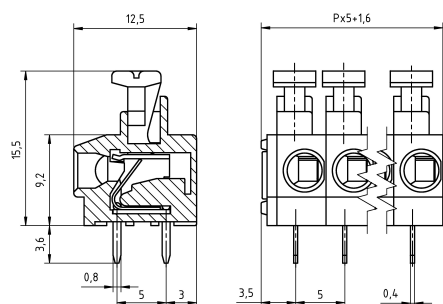
## Technical Data

Wire sizes		Insulating Material	
Solid min	0.08 mm <sup>2</sup>	Material	PA 6.6
Solid max	2.5 mm <sup>2</sup>	Flammability Class	UL 94 V-0
Stranded (flexible) min	0.5 mm <sup>2</sup>	<b>Temperatures</b>	
Stranded (flexible) max	1.5 mm <sup>2</sup>	Operating Temperature (without mech. load)	-40 °C - 105 °C
Stranded with Ferrule min	0.14 mm <sup>2</sup>	Store Temperature	-40 °C - 105 °C
Stranded with Ferrule max	1.0 mm <sup>2</sup>	<b>Wave Soldering Process</b>	
<b>Dimensions</b>		Soldering Temperature, recommended	260 °C
Stripped Length	9.0 mm	Peak Soldering Time, recommended	3-4 s
PCB Hole Diameter	1.0 mm	<b>Reflow Process</b>	
<b>Materials</b>		Soldering Temperature, recommended	-
Solder Tab	Copper Alloy	Peak Soldering Time, recommended	-
Clamp Spring	Stainless Steel		

## Colours

	PEBBLE GREY, RAL 7032
	BLUE, RAL 5015


Colours according to RAL, there may be variations on colour due to production conditions. Special colours on request.



## Order Data (Spacing 10.0 mm)

Poles	Width (mm)	Article Designation	Article Number	PU
1	6.60	AK4101/1KD-10.0-PEBBLE GREY	54101010021 G	250
2	16.60	AK4101/2KD-10.0-PEBBLE GREY	54101020021 F	200
3	26.60	AK4101/3KD-10.0-PEBBLE GREY	54101030021 F	200
4	36.60	AK4101/4KD-10.0-PEBBLE GREY	54101040021 E	100
5	46.60	AK4101/5KD-10.0-PEBBLE GREY	54101050021 E	100
6	56.60	AK4101/6KD-10.0-PEBBLE GREY	54101060021 D	50
7	66.60	AK4101/7KD-10.0-PEBBLE GREY	54101070021 D	50
8	76.60	AK4101/8KD-10.0-PEBBLE GREY	54101080021 D	50
9	86.60	AK4101/9KD-10.0-PEBBLE GREY	54101090021 D	50
10	96.60	AK4101/10KD-10.0-PEBBLE GREY	54101100021 D	50
11	106.60	AK4101/11KD-10.0-PEBBLE GREY	54101110021 D	50
12	116.60	AK4101/12KD-10.0-PEBBLE GREY	54101120021 D	50

## Accessoires

Figure	Designation	Article Number
	Bridge, 2-pole, insulated, BRI/2-5.0/5.08-LIGHT GREY	Order Data: 50000000006
	Bridge, 3-pole, insulated, BRI/3-5.0/5.08-LIGHT GREY	Order Data: 50000000007

## Ratings

UseGroup	C <sup>®</sup> RW <sup>®</sup> US			**	
	B	C	D		
Rated Voltage	300 V	-	300 V		250 V
Rated Current	10 A	-	10 A		17.5 A
Rated Wire Size				min	max
- solid	AWG 20-14	-	AWG 20-14	0.5 mm <sup>2</sup>	2.5 mm <sup>2</sup>
- stranded	-	-	-	-	-
Test Voltage	1.60 kV	-	1.60 kV		2.0 kV

\*\* Data similar to EN 60998