

AK3191/..KD-2.5-PEBBLE GREY





A Phoenix Mecano Brand

- 1 to n poles

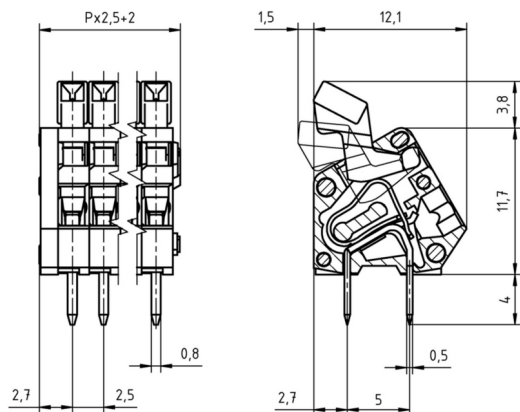
Technical Data

Wire sizes		Insulating Material	
Solid min	0.08 mm ²	Material	PA 6.6
Solid max	1.0 mm ²	Flammability Class	UL 94 V-0
Stranded (flexible) min	0.14mm ²	Temperatures	
Stranded (flexible) max	0.5 mm ²	Operating Temperature (without mech. load)	-40 °C - 105 °C
Stranded with Ferrule min	0.14 mm ²	Store Temperature	-40 °C - 105 °C
Stranded with Ferrule max	0.14 mm ²	Wave Soldering Process	
Dimensions		Soldering Temperature, recommended	260 °C
Stripped Length	5.0 mm	Peak Soldering Time, recommended	3-4 s
PCB Hole Diameter	1.1 mm	Reflow Process	
Materials		Soldering Temperature, recommended	-
Solder Tab	Copper Alloy	Peak Soldering Time, recommended	-
Tension Spring	Stainless Steel		

Colours

	PEBBLE GREY, RAL 7032
	ORANGE, RAL 2011

Colours according to RAL, there may be variations on colour due to production conditions. Special colours on request.



Order Data (Spacing 2.5 mm)

Poles	Width (mm)	Article Designation	Article Number	PU
1	4.50	AK3191/1KD-2.5-PEBBLE GREY	53191011001 F	200
2	7.00	AK3191/2KD-2.5-PEBBLE GREY	53191021001 F	200
3	9.50	AK3191/3KD-2.5-PEBBLE GREY	53191031001 F	200
4	12.00	AK3191/4KD-2.5-PEBBLE GREY	53191041001 F	200
5	14.50	AK3191/5KD-2.5-PEBBLE GREY	53191051001 E	100
6	17.00	AK3191/6KD-2.5-PEBBLE GREY	53191061001 E	100
7	19.50	AK3191/7KD-2.5-PEBBLE GREY	53191071001 E	100
8	22.00	AK3191/8KD-2.5-PEBBLE GREY	53191081001 D	50
9	24.50	AK3191/9KD-2.5-PEBBLE GREY	53191091001 D	50
10	27.00	AK3191/10KD-2.5-PEBBLE GREY	53191101001 D	50
11	29.50	AK3191/11KD-2.5-PEBBLE GREY	53191111001 D	50
12	32.00	AK3191/12KD-2.5-PEBBLE GREY	53191121001 D	50

Ratings

UseGroup	C ^{RU} US			VDE	
	B	C	D		
Rated Voltage	150 V	-	-	130 V	
Rated Current	4 A	-	-	9 A	
Rated Wire Size				min	max
- solid	AWG 28-20	-	-	0.2 mm ²	0.5 mm ²
- stranded	-	-	-	-	-
Test Voltage	1.30 kV	-	-	1.25 kV	