

# AK3011/..FD-7.5-PEBBLE GREY



A Phoenix Mecano Brand

- 1 to n poles

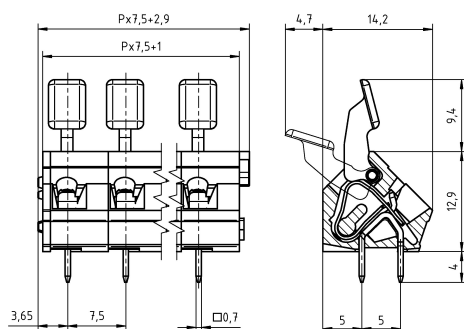
## Technical Data

Wire sizes		Insulating Material	
Solid min	0.08 mm <sup>2</sup>	Material	PA 6.6
Solid max	2.5 mm <sup>2</sup>	Flammability Class	UL 94 V-0
Stranded (flexible) min	0.14mm <sup>2</sup>	<b>Temperatures</b>	
Stranded (flexible) max	2.5 mm <sup>2</sup>	Operating Temperature (without mech. load)	-40 °C - 105 °C
Stranded with Ferrule min	0.14 mm <sup>2</sup>	Store Temperature	-40 °C - 105 °C
Stranded with Ferrule max	1.5 mm <sup>2</sup>	<b>Wave Soldering Process</b>	
<b>Dimensions</b>		Soldering Temperature, recommended	260 °C
Stripped Length	6.0 mm	Peak Soldering Time, recommended	3-4 s
PCB Hole Diameter	1.1 mm	<b>Reflow Process</b>	
<b>Materials</b>		Soldering Temperature, recommended	-
Solder Tab	Copper Alloy	Peak Soldering Time, recommended	-
Tension Spring	Stainless Steel		

## Colours

PEBBLE GREY, RAL 7032


Colours according to RAL, there may be variations on colour due to production conditions. Special colours on request.



## Order Data (Spacing 7.5 mm)

Poles	Width (mm)	Article Designation	Article Number	PU
1	10.40	AK3011/1FD-7.5-PEBBLE GREY	53011010021 F	200
2	17.90	AK3011/2FD-7.5-PEBBLE GREY	53011020021 E	100
3	25.40	AK3011/3FD-7.5-PEBBLE GREY	53011030021 E	100
4	32.90	AK3011/4FD-7.5-PEBBLE GREY	53011040021 E	100
5	40.40	AK3011/5FD-7.5-PEBBLE GREY	53011050021 E	100
6	47.90	AK3011/6FD-7.5-PEBBLE GREY	53011060021 D	50
7	55.40	AK3011/7FD-7.5-PEBBLE GREY	53011070021 D	50
8	62.90	AK3011/8FD-7.5-PEBBLE GREY	53011080021 D	50
9	70.40	AK3011/9FD-7.5-PEBBLE GREY	53011090021 D	50
10	77.90	AK3011/10FD-7.5-PEBBLE GREY	53011100021 D	50
11	85.40	AK3011/11FD-7.5-PEBBLE GREY	53011110021 D	50
12	92.90	AK3011/12FD-7.5-PEBBLE GREY	53011120021 D	50
13	100.40	AK3011/13FD-7.5-PEBBLE GREY	53011130021 D	50
14	107.90	AK3011/14FD-7.5-PEBBLE GREY	53011140021 D	50
15	115.40	AK3011/15FD-7.5-PEBBLE GREY	53011150021 D	50
16	122.90	AK3011/16FD-7.5-PEBBLE GREY	53011160021 D	50
17	130.40	AK3011/17FD-7.5-PEBBLE GREY	53011170021 D	50
18	137.90	AK3011/18FD-7.5-PEBBLE GREY	53011180021 D	50
19	145.40	AK3011/19FD-7.5-PEBBLE GREY	53011190021 D	50
20	152.90	AK3011/20FD-7.5-PEBBLE GREY	53011200021 D	50
21	160.40	AK3011/21FD-7.5-PEBBLE GREY	53011210021 D	50
22	167.90	AK3011/22FD-7.5-PEBBLE GREY	53011220021 D	50
23	175.40	AK3011/23FD-7.5-PEBBLE GREY	53011230021 D	50
24	182.90	AK3011/24FD-7.5-PEBBLE GREY	53011240021 D	50

## Accessoires

Figure	Designation	Article Number
	Bridge, 2-pole, insulated, BRI/2-7.5/7.62-L8.2-LIGHT GREY	Order Data: 50000000017

## Ratings



UseGroup	B	C	D		
Rated Voltage	300 V	-	300 V	750 V	
Rated Current	15 A	-	10 A	24 A	
Rated Wire Size				min	max
- solid	AWG 28-14	-	AWG 28-14	0.5 mm <sup>2</sup>	2.5 mm <sup>2</sup>
- stranded	AWG 28-14	-	AWG 28-14	0.5 mm <sup>2</sup>	2.5 mm <sup>2</sup>
Test Voltage	1.60 kV	-	1.60 kV	3.0 kV	