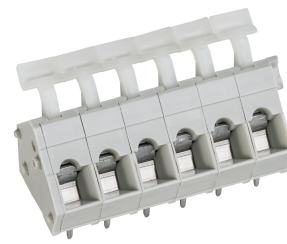


AK3001/..WD-5.0-PEBBLE GREY

- 1 to n poles



A Phoenix Mecano Brand

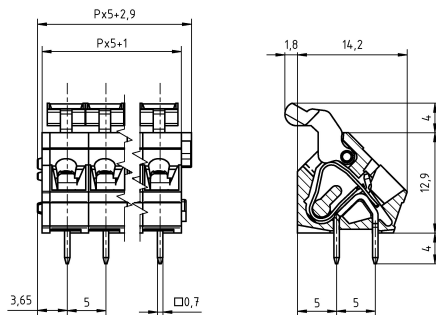
Technical Data

Wire sizes		Insulating Material	
Solid min	0.08 mm ²	Material	PA 6.6
Solid max	2.5 mm ²	Flammability Class	UL 94 V-0
Stranded (flexible) min	0.14mm ²	Temperatures	
Stranded (flexible) max	2.5 mm ²	Operating Temperature (without mech. load)	-40 °C - 105 °C
Stranded with Ferrule min	0.14 mm ²	Store Temperature	-40 °C - 105 °C
Stranded with Ferrule max	1.5 mm ²	Wave Soldering Process	
Dimensions		Soldering Temperature, recommended	260 °C
Stripped Length	6.0 mm	Peak Soldering Time, recommended	3-4 s
PCB Hole Diameter	1.1 mm	Reflow Process	
Materials		Soldering Temperature, recommended	-
Solder Tab	Copper Alloy	Peak Soldering Time, recommended	-
Tension Spring	Stainless Steel		

Colours

	PEBBLE GREY, RAL 7032
	GREY, RAL 7016
	LIGHT GREEN, similar RAL 6018
	GREEN, RAL 6018
	RED, RAL 3003
	ORANGE, RAL 2011
	BLUE, RAL 5015

Colours according to RAL, there may be variations on colour due to production conditions. Special colours on request.



Order Data (Spacing 5.0 mm)

Poles	Width (mm)	Article Designation	Article Number	PU
1	7.90	AK3001/1WD-5.0-PEBBLE GREY	53001010051 F	200
2	12.90	AK3001/2WD-5.0-PEBBLE GREY	53001020051 F	200
3	17.90	AK3001/3WD-5.0-PEBBLE GREY	53001030051 F	200
4	22.90	AK3001/4WD-5.0-PEBBLE GREY	53001040051 F	200
5	27.90	AK3001/5WD-5.0-PEBBLE GREY	53001050051 E	100
6	32.90	AK3001/6WD-5.0-PEBBLE GREY	53001060051 E	100
7	37.90	AK3001/7WD-5.0-PEBBLE GREY	53001070051 E	100
8	42.90	AK3001/8WD-5.0-PEBBLE GREY	53001080051 D	50
9	47.90	AK3001/9WD-5.0-PEBBLE GREY	53001090051 D	50
10	52.90	AK3001/10WD-5.0-PEBBLE GREY	53001100051 D	50
11	57.90	AK3001/11WD-5.0-PEBBLE GREY	53001110051 D	50
12	62.90	AK3001/12WD-5.0-PEBBLE GREY	53001120051 D	50
13	67.90	AK3001/13WD-5.0-PEBBLE GREY	53001130051 D	50
14	72.90	AK3001/14WD-5.0-PEBBLE GREY	53001140051 D	50
15	77.90	AK3001/15WD-5.0-PEBBLE GREY	53001150051 D	50
16	82.90	AK3001/16WD-5.0-PEBBLE GREY	53001160051 D	50
17	87.90	AK3001/17WD-5.0-PEBBLE GREY	53001170051 D	50
18	92.90	AK3001/18WD-5.0-PEBBLE GREY	53001180051 D	50
19	97.90	AK3001/19WD-5.0-PEBBLE GREY	53001190051 D	50
20	102.90	AK3001/20WD-5.0-PEBBLE GREY	53001200051 D	50
21	107.90	AK3001/21WD-5.0-PEBBLE GREY	53001210051 D	50
22	112.90	AK3001/22WD-5.0-PEBBLE GREY	53001220051 D	50
23	117.90	AK3001/23WD-5.0-PEBBLE GREY	53001230051 D	50
24	122.90	AK3001/24WD-5.0-PEBBLE GREY	53001240051 D	50

Accessoires

Figure	Designation	Article Number
	Bridge, 2-pole, insulated, BRI/2-5.0/5.08-LIGHT GREY	Order Data: 50000000006

	Bridge, 3-pole, insulated, BRI/3-5.0/5.08-LIGHT GREY	Order Data: 50000000007
--	--	-------------------------

	Bridge, 2-pole, BR/2-5.0/5.08-L7.0	Order Data: 50000000008
	min	max
	AWG 28-14	AWG 28-14
	0.5 mm ²	2.5 mm ²
	0.5 mm ²	2.5 mm ²
Test Voltage	1.60 kV	2.0 kV

Ratings

UseGroup	B	C	D
Rated Voltage	300 V	-	300 V
Rated Current	15 A	-	10 A
Rated Wire Size			
- solid	AWG 28-14	-	AWG 28-14
- stranded	AWG 28-14	-	AWG 28-14
Test Voltage	1.60 kV	-	1.60 kV