

AK3001/..FD-5.0-PEBBLE GREY



A Phoenix Mecano Brand



- 1 to n poles

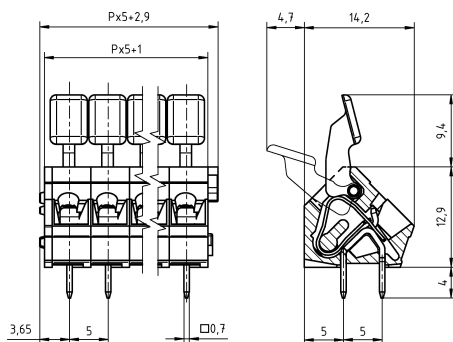
Technical Data

| Wire sizes | | Insulating Material | |
|---------------------------|----------------------|--|-----------------|
| Solid min | 0.08 mm ² | Material | PA 6.6 |
| Solid max | 2.5 mm ² | Flammability Class | UL 94 V-0 |
| Stranded (flexible) min | 0.14mm ² | Temperatures | |
| Stranded (flexible) max | 2.5 mm ² | Operating Temperature (without mech. load) | -40 °C - 105 °C |
| Stranded with Ferrule min | 0.14 mm ² | Store Temperature | -40 °C - 105 °C |
| Stranded with Ferrule max | 1.5 mm ² | Wave Soldering Process | |
| Dimensions | | Soldering Temperature, recommended | 260 °C |
| Stripped Length | 6.0 mm | Peak Soldering Time, recommended | 3-4 s |
| PCB Hole Diameter | 1.1 mm | Reflow Process | |
| Materials | | Soldering Temperature, recommended | - |
| Solder Tab | Copper Alloy | Peak Soldering Time, recommended | - |
| Tension Spring | Stainless Steel | | |

Colours

| | |
|--|-------------------------------|
| | PEBBLE GREY, RAL 7032 |
| | GREY, RAL 7016 |
| | LIGHT GREEN, similar RAL 6018 |
| | GREEN, RAL 6018 |
| | RED, RAL 3003 |
| | ORANGE, RAL 2011 |
| | BLUE, RAL 5015 |

Colours according to RAL, there may be variations on colour due to production conditions. Special colours on request.



Order Data (Spacing 5.0 mm)

| Poles | Width (mm) | Article Designation | Article Number | PU |
|-------|------------|-----------------------------|----------------|-----|
| 1 | 7.90 | AK3001/1FD-5.0-PEBBLE GREY | 53001010021 G | 250 |
| 2 | 12.90 | AK3001/2FD-5.0-PEBBLE GREY | 53001020021 F | 200 |
| 3 | 17.90 | AK3001/3FD-5.0-PEBBLE GREY | 53001030021 F | 200 |
| 4 | 22.90 | AK3001/4FD-5.0-PEBBLE GREY | 53001040021 F | 200 |
| 5 | 27.90 | AK3001/5FD-5.0-PEBBLE GREY | 53001050021 E | 100 |
| 6 | 32.90 | AK3001/6FD-5.0-PEBBLE GREY | 53001060021 E | 100 |
| 7 | 37.90 | AK3001/7FD-5.0-PEBBLE GREY | 53001070021 E | 100 |
| 8 | 42.90 | AK3001/8FD-5.0-PEBBLE GREY | 53001080021 D | 50 |
| 9 | 47.90 | AK3001/9FD-5.0-PEBBLE GREY | 53001090021 D | 50 |
| 10 | 52.90 | AK3001/10FD-5.0-PEBBLE GREY | 53001100021 D | 50 |
| 11 | 57.90 | AK3001/11FD-5.0-PEBBLE GREY | 53001110021 D | 50 |
| 12 | 62.90 | AK3001/12FD-5.0-PEBBLE GREY | 53001120021 D | 50 |
| 13 | 67.90 | AK3001/13FD-5.0-PEBBLE GREY | 53001130021 D | 50 |
| 14 | 72.90 | AK3001/14FD-5.0-PEBBLE GREY | 53001140021 D | 50 |
| 15 | 77.90 | AK3001/15FD-5.0-PEBBLE GREY | 53001150021 D | 50 |
| 16 | 82.90 | AK3001/16FD-5.0-PEBBLE GREY | 53001160021 D | 50 |
| 17 | 87.90 | AK3001/17FD-5.0-PEBBLE GREY | 53001170021 D | 50 |
| 18 | 92.90 | AK3001/18FD-5.0-PEBBLE GREY | 53001180021 D | 50 |
| 19 | 97.90 | AK3001/19FD-5.0-PEBBLE GREY | 53001190021 D | 50 |
| 20 | 102.90 | AK3001/20FD-5.0-PEBBLE GREY | 53001200021 D | 50 |
| 21 | 107.90 | AK3001/21FD-5.0-PEBBLE GREY | 53001210021 D | 50 |
| 22 | 112.90 | AK3001/22FD-5.0-PEBBLE GREY | 53001220021 D | 50 |
| 23 | 117.90 | AK3001/23FD-5.0-PEBBLE GREY | 53001230021 D | 50 |
| 24 | 122.90 | AK3001/24FD-5.0-PEBBLE GREY | 53001240021 D | 50 |

Accessoires

| Figure | Designation | Article Number |
|--------|--|-------------------------|
| | Bridge, 2-pole, insulated, BRI/2-5.0/5.08-LIGHT GREY | Order Data: 50000000006 |

| | | |
|--|--|-------------------------|
| | Bridge, 3-pole, insulated, BRI/3-5.0/5.08-LIGHT GREY | Order Data: 50000000007 |
|--|--|-------------------------|

| | | |
|--|------------------------------------|-------------------------|
| | Bridge, 2-pole, BR/2-5.0/5.08-L7.0 | Order Data: 50000000008 |
| | min | max |
| | AWG 28-14 | AWG 28-14 |
| | 0.5 mm ² | 2.5 mm ² |
| | 0.5 mm ² | 2.5 mm ² |
| | 1.60 kV | 2.0 kV |

Ratings

| UseGroup | B | C | D |
|-----------------|-----------|---|-----------|
| Rated Voltage | 300 V | - | 300 V |
| Rated Current | 15 A | - | 10 A |
| Rated Wire Size | | | |
| - solid | AWG 28-14 | - | AWG 28-14 |
| - stranded | AWG 28-14 | - | AWG 28-14 |
| Test Voltage | 1.60 kV | - | 1.60 kV |