

## AKZS950/..G-5.08-V-GREEN-INV



## Technical Data

Wire sizes		Insulating Material	
Solid min	0.2 mm <sup>2</sup>	Material	PA 6.6
Solid max	4.0 mm <sup>2</sup>	Flammability Class	UL 94 V-0
Stranded (flexible) min	0.2mm <sup>2</sup>	<b>Temperatures</b>	
Stranded (flexible) max	2.5 mm <sup>2</sup>	Operating Temperature (without mech. load)	-40 °C - 105 °C
Stranded with Ferrule min	0.25 mm <sup>2</sup>	Store Temperature	-40 °C - 105 °C
Stranded with Ferrule max	2.5 mm <sup>2</sup>	<b>Wave Soldering Process</b>	
<b>Dimensions</b>		Soldering Temperature, recommended	-
Stripped Length	6.0 mm	Peak Soldering Time, recommended	-
<b>Materials</b>		<b>Reflow Process</b>	
Clamp	Brass	Soldering Temperature, recommended	-
Screw	Steel	Peak Soldering Time, recommended	-
Contact Tag	Copper Alloy		

## Colours

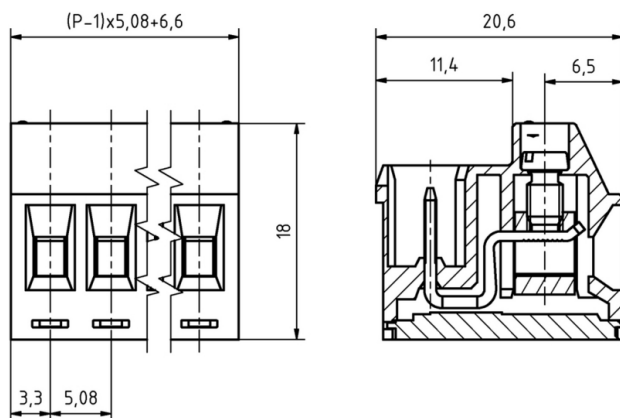
Colours according to RAL, there may be variations on colour due to production conditions. Special colours on request.

## Counterparts (Spacing 5.08 mm)

Pin Strip/Terminal Block

AKZ950      AKZ1100      AKZ1110      AKZ1200      STLZ950-INV

In combination of connectors with different admission data, the lower value is valid.



## Order Data (Spacing 5.08 mm)

Poles	Width (mm)	Article Designation	Article Number	PU
2	5.08	AKZS950/2G-5.08-V-GREEN-INV	50950027141 D	50
3	10.16	AKZS950/3G-5.08-V-GREEN-INV	50950037141 D	50
4	15.24	AKZS950/4G-5.08-V-GREEN-INV	50950047141 D	50
5	20.32	AKZS950/5G-5.08-V-GREEN-INV	50950057141 D	50
6	25.40	AKZS950/6G-5.08-V-GREEN-INV	50950067141 D	50
7	30.48	AKZS950/7G-5.08-V-GREEN-INV	50950077141 D	50
8	35.56	AKZS950/8G-5.08-V-GREEN-INV	50950087141 D	50
9	40.64	AKZS950/9G-5.08-V-GREEN-INV	50950097141 D	50
10	45.72	AKZS950/10G-5.08-V-GREEN-INV	50950107141 D	50
11	50.80	AKZS950/11G-5.08-V-GREEN-INV	50950117141 D	50
12	55.88	AKZS950/12G-5.08-V-GREEN-INV	50950127141 D	50

## Accessoires

Figure	Designation	Article Number
	Bridge, 2-pole, insulated, BRI/2-5.0/5.08-LIGHT GREY	Order Data: 50000000006
	Bridge, 3-pole, insulated, BRI/3-5.0/5.08-LIGHT GREY	Order Data: 50000000007
	Bridge, 2-pole, BR/2-5.0/5.08-L7.0	Order Data: 50000000008
	Coding Star CS2-5.0/5.08-RED	Order Data: 50000000024
	Separating Element SE-STL950-GREEN	Order Data: 50950000002

## Ratings

UseGroup	*			**		
	B	C	D			
Rated Voltage	300 V	150 V	300 V		250 V	
Rated Current	15 A	15 A	10 A		12 A	
Overvoltage Category					III	
Rated Wire Size					min	max
	- solid	AWG 28-12	AWG 28-12	AWG 28-12	0.5 mm <sup>2</sup>	2.5 mm <sup>2</sup>
	- stranded	AWG 28-12	AWG 28-12	AWG 28-12	0.5 mm <sup>2</sup>	2.5 mm <sup>2</sup>
Torque	0.45 Nm	0.45 Nm	0.45 Nm		0.50 Nm	
Screw Size	M3	M3	M3		M3	
Test Voltage	1.60 kV	1.30 kV	1.60 kV		4.0 kV	
Pollution Degree						3

\* Data similar to UL 1059 (XCFR2.E101811) und CSA 22.2 No. 158 (XCFR8.E101811)

\*\* Data similar to EN 61984