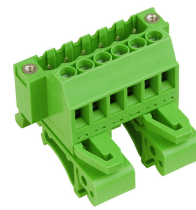


AKZS950/..F-10.16-GREEN



Technical Data

Wire sizes		Insulating Material	
Solid min	0.2 mm ²	Material	PA 6.6
Solid max	4.0 mm ²	Flammability Class	UL 94 V-0
Stranded (flexible) min	0.2mm ²	Temperatures	
Stranded (flexible) max	2.5 mm ²	Operating Temperature (without mech. load)	-40 °C - 105 °C
Stranded with Ferrule min	0.25 mm ²	Store Temperature	-40 °C - 105 °C
Stranded with Ferrule max	2.5 mm ²	Wave Soldering Process	
Dimensions		Soldering Temperature, recommended	-
Stripped Length	6.0 mm	Peak Soldering Time, recommended	-
Materials		Reflow Process	
Clamp	Brass	Soldering Temperature, recommended	-
Screw	Steel	Peak Soldering Time, recommended	-
Thread Insert, Flange	Brass		
Contact Tag	Copper Alloy		

Colours

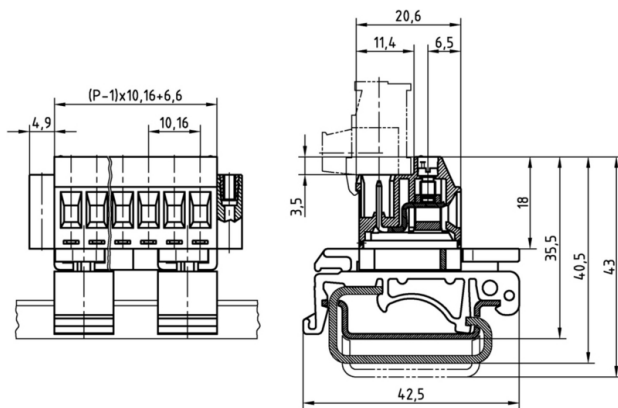
	GREEN, RAL 6018
	LIGHT GREEN, similar RAL 6018

Colours according to RAL, there may be variations on colour due to production conditions. Special colours on request.

Counterparts (Spacing 10.16 mm)

Terminal Block	
AKZ950	AKZ1200

In combination of connectors with different admission data, the lower value is valid.



Order Data (Spacing 10.16 mm)

Poles	Width (mm)	Article Designation	Article Number	PU
2	26.56	AKZS950/2F-10.16-GREEN	50950027032 E	100
3	36.72	AKZS950/3F-10.16-GREEN	50950037032 E	100
4	46.88	AKZS950/4F-10.16-GREEN	50950047032 D	50
5	57.04	AKZS950/5F-10.16-GREEN	50950057032 D	50
6	67.20	AKZS950/6F-10.16-GREEN	50950067032 D	50
7	77.36	AKZS950/7F-10.16-GREEN	50950077032 D	50
8	87.52	AKZS950/8F-10.16-GREEN	50950087032 D	50
9	97.68	AKZS950/9F-10.16-GREEN	50950097032 D	50

Accessoires

Figure	Designation	Article Number
	Coding Star CS2-5.0/5.08-RED	Order Data: 50000000024
	Separating Element SE-STL950-GREEN	Order Data: 50950000002
	Mounting Rail Clip CLP-AKZS950-TS15/TS35	Order Data: 50950000005
	Mounting Rail Clip CLP-AKZS950-TS32/TS35	Order Data: 50950000006

Ratings

UseGroup	C _{RU} US			VDE	
	B	C	D		
Rated Voltage	300 V	150 V	300 V	250 V	
Rated Current	15 A	15 A	-	12 A	
Overvoltage Category				III	
Rated Wire Size				min	max
- solid	AWG 28-12	AWG 28-12	AWG 28-12	0.5 mm ² (5 A)	2.5 mm ² (12 A)
- stranded	AWG 28-12	AWG 28-12	AWG 28-12	0.5 mm ² (5 A)	2.5 mm ² (12 A)
Torque	0.45 Nm	0.45 Nm	0.45 Nm	0.50 Nm	
Screw Size	M3	M3	M3	M3	
Test Voltage	1.60 kV	1.30 kV	1.60 kV	4.0 kV	
Pollution Degree				3	