

## AKZ950/..-5.08-GREEN-INV





A Phoenix Mecano Brand

## Technical Data

Wire sizes		Insulating Material	
Solid min	0.2 mm <sup>2</sup>	Material	PA 6.6
Solid max	4.0 mm <sup>2</sup>	Flammability Class	UL 94 V-0
Stranded (flexible) min	0.2mm <sup>2</sup>	<b>Temperatures</b>	
Stranded (flexible) max	4.0 mm <sup>2</sup>	Operating Temperature (without mech. load)	-40 °C - 105 °C
Stranded with Ferrule min	0.25 mm <sup>2</sup>	Store Temperature	-40 °C - 105 °C
Stranded with Ferrule max	2.5 mm <sup>2</sup>	<b>Wave Soldering Process</b>	
<b>Dimensions</b>		Soldering Temperature, recommended	-
Stripped Length	7.0 mm	Peak Soldering Time, recommended	-
<b>Materials</b>		<b>Reflow Process</b>	
Clamp	Brass	Soldering Temperature, recommended	-
Screw	Steel	Peak Soldering Time, recommended	-
Contact Pin	Brass		

## Colours

	GREEN, RAL 6018
	LIGHT GREEN, similar RAL 6018

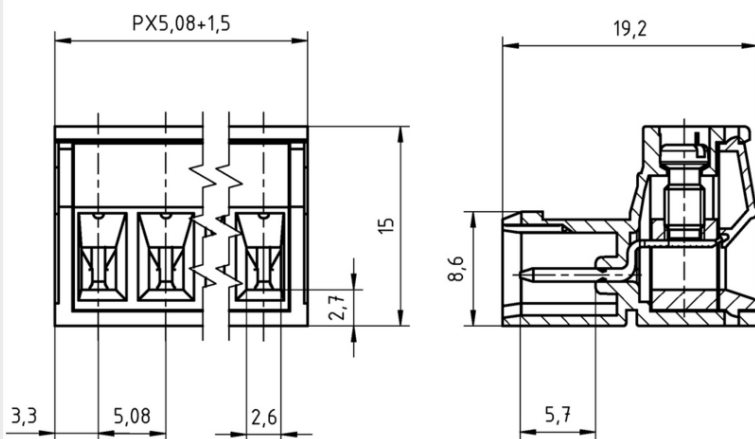
Colours according to RAL, there may be variations on colour due to production conditions. Special colours on request.

## Counterparts (Spacing 5.08 mm)

Pin Strip/Terminal Block

AKZ950	AKZ1100	AKZ1110	AKZ1200	AKZ4951	STLZ950-INV
--------	---------	---------	---------	---------	-------------

In combination of connectors with different admission data, the lower value is valid.



## Order Data (Spacing 5.08 mm)

Poles	Width (mm)	Article Designation	Article Number	PU
2	11.66	AKZ950/2-5.08-GREEN-INV	50950027028 F	200
3	16.74	AKZ950/3-5.08-GREEN-INV	50950037028 F	200
4	21.82	AKZ950/4-5.08-GREEN-INV	50950047028 F	200
5	26.90	AKZ950/5-5.08-GREEN-INV	50950057028 E	100
6	31.98	AKZ950/6-5.08-GREEN-INV	50950067028 E	100
7	37.06	AKZ950/7-5.08-GREEN-INV	50950077028 E	100
8	42.14	AKZ950/8-5.08-GREEN-INV	50950087028 D	50
9	47.22	AKZ950/9-5.08-GREEN-INV	50950097028 D	50
10	52.30	AKZ950/10-5.08-GREEN-INV	50950107028 D	50
11	57.38	AKZ950/11-5.08-GREEN-INV	50950117028 D	50
12	62.46	AKZ950/12-5.08-GREEN-INV	50950127028 D	50
13	67.54	AKZ950/13-5.08-GREEN-INV	50950137028 D	50
14	72.62	AKZ950/14-5.08-GREEN-INV	50950147028 D	50
15	77.70	AKZ950/15-5.08-GREEN-INV	50950157028 D	50
16	82.78	AKZ950/16-5.08-GREEN-INV	50950167028 D	50
17	87.86	AKZ950/17-5.08-GREEN-INV	50950177028 D	50
18	92.94	AKZ950/18-5.08-GREEN-INV	50950187028 D	50
19	98.02	AKZ950/19-5.08-GREEN-INV	50950197028 D	50
20	103.10	AKZ950/20-5.08-GREEN-INV	50950207028 D	50
21	108.18	AKZ950/21-5.08-GREEN-INV	50950217028 D	50
22	113.26	AKZ950/22-5.08-GREEN-INV	50950227028 D	50
23	118.34	AKZ950/23-5.08-GREEN-INV	50950237028 D	50
24	123.42	AKZ950/24-5.08-GREEN-INV	50950247028 D	50

## Accessoires

Figure	Designation	Article Number
	Bridge, 2-pole, insulated, BRI/2-5.0/5.08-LIGHT GREY	Order Data: 50000000006
	Bridge, 3-pole, insulated, BRI/3-5.0/5.08-LIGHT GREY	Order Data: 50000000007
	Coding Star CS3-5.0/5.08-RED	Order Data: 50000000025

## Ratings

UseGroup	cRU <sup>®</sup> US			VDE	
	B	C	D		
Rated Voltage	300 V	-	300 V	250 V	
Rated Current	15 A	-	10 A	10 A	
Overvoltage Category				III	
Rated Wire Size			min		max
- solid	AWG 28-12	-	AWG 28-12	0.2 mm <sup>2</sup> (4 A)	2.5 mm <sup>2</sup> (10 A)
- stranded	AWG 28-12	-	AWG 28-12	0.2 mm <sup>2</sup> (4 A)	2.5 mm <sup>2</sup> (10 A)
Torque	0.50 Nm	-	0.50 Nm	0.50 Nm	
Screw Size	M3	-	M3	M3	
Test Voltage	1.60 kV	-	1.60 kV	4.0 kV	
Pollution Degree				3	