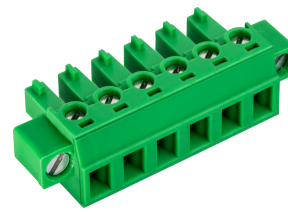


## AKZ1520/..F-5.08-GREEN



## Technical Data

Wire sizes		Insulating Material	
Solid min	0.14 mm <sup>2</sup>	Material	PA 6.6
Solid max	1.5 mm <sup>2</sup>	Flammability Class	UL 94 V-0
Stranded (flexible) min	0.14mm <sup>2</sup>	<b>Temperatures</b>	
Stranded (flexible) max	1.5 mm <sup>2</sup>	Operating Temperature (without mech. load)	-40 °C - 105 °C
Stranded with Ferrule min	0.25 mm <sup>2</sup>	Store Temperature	-40 °C - 105 °C
Stranded with Ferrule max	0.5 mm <sup>2</sup>	<b>Wave Soldering Process</b>	
<b>Dimensions</b>		Soldering Temperature, recommended	-
Stripped Length	7.0 mm	Peak Soldering Time, recommended	-
<b>Materials</b>		<b>Reflow Process</b>	
Clamp	Brass	Soldering Temperature, recommended	-
Screw	Bronze	Peak Soldering Time, recommended	-
Screw, Flange	Steel		
Contact Spring	Bronze		

## Colours

GREEN, RAL 6018

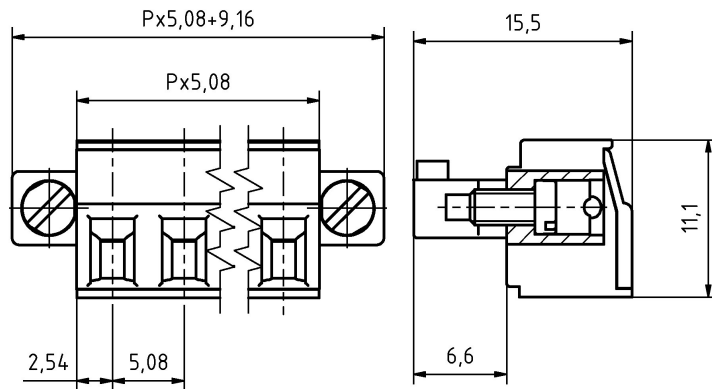
Colours according to RAL, there may be variations on colour due to production conditions. Special colours on request.

## Counterparts (Spacing 5.08 mm)

Pin Strip

STLZ1520

In combination of connectors with different admission data, the lower value is valid.



## Order Data (Spacing 5.08 mm)

Poles	Width (mm)	Article Designation	Article Number	PU
2	19.36	AKZ1520/2F-5.08-GREEN	51520022025 F	200
3	24.44	AKZ1520/3F-5.08-GREEN	51520032025 F	200
4	29.52	AKZ1520/4F-5.08-GREEN	51520042025 F	200
5	34.60	AKZ1520/5F-5.08-GREEN	51520052025 D	50
6	39.68	AKZ1520/6F-5.08-GREEN	51520062025 D	50
7	44.76	AKZ1520/7F-5.08-GREEN	51520072025 D	50
8	49.84	AKZ1520/8F-5.08-GREEN	51520082025 D	50
9	54.92	AKZ1520/9F-5.08-GREEN	51520092025 D	50
10	60.00	AKZ1520/10F-5.08-GREEN	51520102025 D	50
11	65.08	AKZ1520/11F-5.08-GREEN	51520112025 D	50
12	70.16	AKZ1520/12F-5.08-GREEN	51520122025 D	50
19	105.72	AKZ1520/19F-5.08-GREEN	51520192025 D	50

## Accessoires

Figure	Designation	Article Number
	Series AKZ1520 with pull relief	Order Data: on request

## Ratings

UseGroup	cRU <sup>*</sup> US			DVE <sup>*</sup>	
	B	C	D		
Rated Voltage	300 V	-	300 V	250 V	
Rated Current	8 A	-	8 A	8 A	
Overtoltage Category				III	
Rated Wire Size			min		max
- solid	AWG 28-16	-	AWG 28-16	0.2 mm <sup>2</sup>	1.5 mm <sup>2</sup>
- stranded	AWG 28-16	-	AWG 28-16	0.2 mm <sup>2</sup>	1.5 mm <sup>2</sup>
Torque	0.25 Nm	-	0.25 Nm	0.25 Nm	
Screw Size	M2	-	M2	M2	
Test Voltage	1.60 kV	-	1.60 kV	4.0 kV	
Pollution Degree				3	

\* Approval Pending