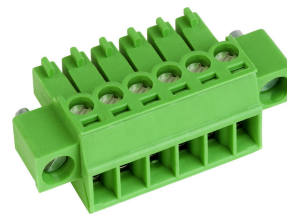


## AK1550/..F-7.0-GREEN



## Technical Data

Wire sizes		Insulating Material	
Solid min	0.14 mm <sup>2</sup>	Material	PA 6.6
Solid max	1.5 mm <sup>2</sup>	Flammability Class	UL 94 V-0
Stranded (flexible) min	0.14mm <sup>2</sup>	<b>Temperatures</b>	
Stranded (flexible) max	1.5 mm <sup>2</sup>	Operating Temperature (without mech. load)	-40 °C - 105 °C
Stranded with Ferrule min	0.25 mm <sup>2</sup>	Store Temperature	-40 °C - 105 °C
Stranded with Ferrule max	1.0 mm <sup>2</sup>	<b>Wave Soldering Process</b>	
<b>Dimensions</b>		Soldering Temperature, recommended	-
Stripped Length	7.0 mm	Peak Soldering Time, recommended	-
<b>Materials</b>		<b>Reflow Process</b>	
Clamp	Brass	Soldering Temperature, recommended	-
Screw	Bronze	Peak Soldering Time, recommended	-
Screw, Flange	Steel		
Contact Spring	Bronze		

## Colours

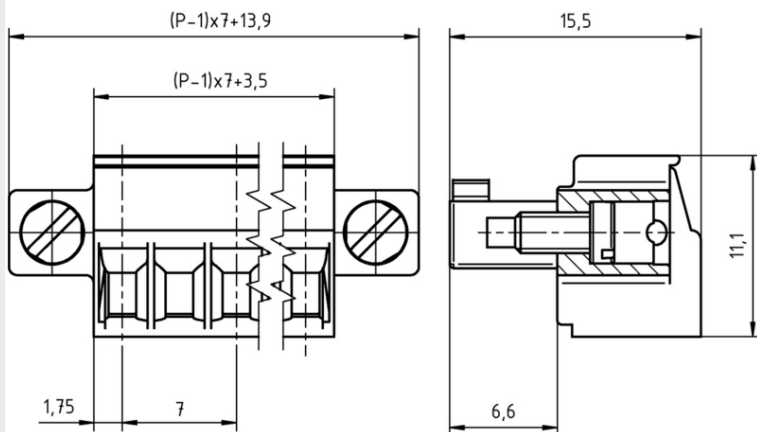
	BLACK, RAL 9011
	GREEN, RAL 6018
	LIGHT GREEN, similar RAL 6018

Colours according to RAL, there may be variations on colour due to production conditions. Special colours on request.

## Counterparts (Spacing 7.0 mm)

Pin Strip  
STL1550

In combination of connectors with different admission data, the lower value is valid.



## Order Data (Spacing 7.0 mm)

Poles	Width (mm)	Article Designation	Article Number	PU
2	20.90	AK1550/2F-7.0-GREEN	51550022041 E	100
3	27.90	AK1550/3F-7.0-GREEN	51550032041 E	100
4	34.90	AK1550/4F-7.0-GREEN	51550042041 E	100
5	41.90	AK1550/5F-7.0-GREEN	51550052041 E	100
6	48.90	AK1550/6F-7.0-GREEN	51550062041 D	50
7	55.90	AK1550/7F-7.0-GREEN	51550072041 D	50
8	62.90	AK1550/8F-7.0-GREEN	51550082041 D	50
9	69.90	AK1550/9F-7.0-GREEN	51550092041 D	50
10	76.90	AK1550/10F-7.0-GREEN	51550102041 D	50

## Accessoires

Figure	Designation	Article Number
	Bridge, 2-pole, insulated, BRI/2-7.0/7.62-L7.5-LIGHT GREY	Order Data: 50000000018
	Series AK(Z)1550 with pull relief	Order Data: on request

## Ratings

UseGroup	cRU <sup>®</sup> US			VDE	
	B	C	D		
Rated Voltage	300 V	-	300 V	500 V	
Rated Current	8 A	-	-	9 A	
Overvoltage Category				III	
Rated Wire Size			min		max
- solid	AWG 28-16	-	AWG 28-16	0.5 mm <sup>2</sup> (6 A)	1.5 mm <sup>2</sup> (9 A)
- stranded	AWG 28-16	-	AWG 28-16	0.5 mm <sup>2</sup> (6 A)	1.5 mm <sup>2</sup> (9 A)
Torque	0.25 Nm	-	0.25 Nm	0.25 Nm	
Screw Size	M2	-	M2	M2	
Test Voltage	1.60 kV	-	1.60 kV	6.0 kV	
Pollution Degree				3	