

AK1350/..DSCC-3.5-GREY



A Phoenix Mecano Brand



Technical Data

Wire sizes		Insulating Material	
Solid min	0.08 mm ²	Material	PA 6.6
Solid max	1.5 mm ²	Flammability Class	UL 94 V-0
Stranded (flexible) min	0.08mm ²	Temperatures	
Stranded (flexible) max	1.5 mm ²	Operating Temperature (without mech. load)	-40 °C - 105 °C
Stranded with Ferrule min	0.14 mm ²	Store Temperature	-40 °C - 105 °C
Stranded with Ferrule max	0.5 mm ²	Wave Soldering Process	
Dimensions		Soldering Temperature, recommended	-
Stripped Length	5.0 mm	Peak Soldering Time, recommended	-
Materials		Reflow Process	
Clamp	Brass	Soldering Temperature, recommended	-
Wire Guard	Stainless Steel	Peak Soldering Time, recommended	s
Screw	Bronze		
Contact Spring	Bronze		

Colours

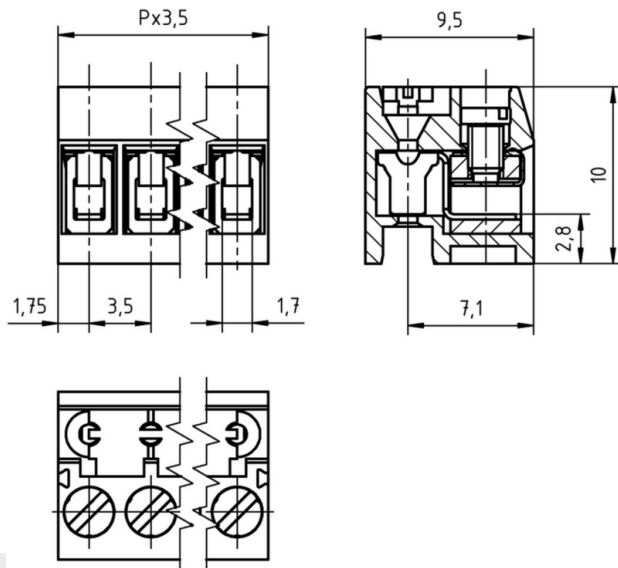
GREY, RAL 7016

Colours according to RAL, there may be variations on colour due to production conditions. Special colours on request.

Counterparts (Spacing 3.5 mm)

Pin Strip
STL1350

In combination of connectors with different admission data, the lower value is valid.



Order Data (Spacing 3.5 mm)

Poles	Width (mm)	Article Designation	Article Number	PU
2	7.00	AK1350/2DSCC-3.5-GREY	51350020009 G	250
3	10.50	AK1350/3DSCC-3.5-GREY	51350030009 G	250
4	14.00	AK1350/4DSCC-3.5-GREY	51350040009 G	250
5	17.50	AK1350/5DSCC-3.5-GREY	51350050009 G	250
6	21.00	AK1350/6DSCC-3.5-GREY	51350060009 G	250
7	24.50	AK1350/7DSCC-3.5-GREY	51350070009 G	250
8	28.00	AK1350/8DSCC-3.5-GREY	51350080009 E	100
9	31.50	AK1350/9DSCC-3.5-GREY	51350090009 E	100
10	35.00	AK1350/10DSCC-3.5-GREY	51350100009 E	100
11	38.50	AK1350/11DSCC-3.5-GREY	51350110009 E	100
12	42.00	AK1350/12DSCC-3.5-GREY	51350120009 E	100

Accessoires

Figure	Designation	Article Number
	Bridge, 2-pole, angled, BR/2-3.5/3.81-H-L4.7	Order Data: 50000000019
	Bridge, 2-pole, BR/2-3.5/3.81-L4.7	Order Data: 50000000013
	Bridge, 3-pole, BR/3-3.5/3.81-L4.7	Order Data: 50000000014
	Bridge, 2-pole, insulated, BR/2-7.0/7.62-L7.5-LIGHT GREY	Order Data: 50000000018

Ratings

UseGroup	cRU [®] US			VDE	
	B	C	D		
Rated Voltage	150 V	-	-	125 V	
Rated Current	9 A	-	-	10 A	
Overvoltage Category				III	
Rated Wire Size				min	max
- solid	AWG 28-16	-	-	0.2 mm ² (4 A)	1.5 mm ² (8 A)
- stranded	AWG 28-16	-	-	0.2 mm ² (4 A)	1.5 mm ² (8 A)
Torque	0.25 Nm	-	-	0.25 Nm	
Screw Size	M2	-	-	M2	
Test Voltage	1.30 kV	-	-	2.5 kV	
Pollution Degree				3	