

# AK1350/..DS-3.5-GREY-CP



A Phoenix Mecano Brand

## Technical Data

Wire sizes		Insulating Material	
Solid min	0.08 mm <sup>2</sup>	Material	PA 6.6
Solid max	1.5 mm <sup>2</sup>	Flammability Class	UL 94 V-0
Stranded (flexible) min	0.08mm <sup>2</sup>	<b>Temperatures</b>	
Stranded (flexible) max	1.5 mm <sup>2</sup>	Operating Temperature (without mech. load)	-40 °C - 105 °C
Stranded with Ferrule min	0.14 mm <sup>2</sup>	Store Temperature	-40 °C - 105 °C
Stranded with Ferrule max	0.5 mm <sup>2</sup>	<b>Wave Soldering Process</b>	
<b>Dimensions</b>		Soldering Temperature, recommended	-
Stripped Length	5.0 mm	Peak Soldering Time, recommended	-
<b>Materials</b>		<b>Reflow Process</b>	
Clamp	Brass	Soldering Temperature, recommended	-
Wire Guard	Stainless Steel	Peak Soldering Time, recommended	-
Screw	Bronze		
Contact Spring	Bronze		

## Colours

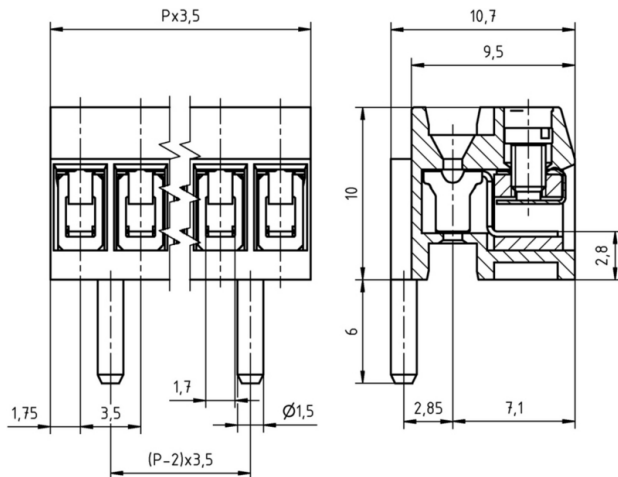
 GREY, RAL 7016

Colours according to RAL, there may be variations on colour due to production conditions. Special colours on request.

## Counterparts (Spacing 3.5 mm)

Pin Strip	
STL1350	STL1350-HT

In combination of connectors with different admission data, the lower value is valid.



## Order Data (Spacing 3.5 mm)

Poles	Width (mm)	Article Designation	Article Number	PU
2	7.00	AK1350/2DS-3.5-GREY-CP	51350020121 G	250
3	10.50	AK1350/3DS-3.5-GREY-CP	51350030121 G	250
4	14.00	AK1350/4DS-3.5-GREY-CP	51350040121 G	250
5	17.50	AK1350/5DS-3.5-GREY-CP	51350050121 G	250
6	21.00	AK1350/6DS-3.5-GREY-CP	51350060121 G	250
7	24.50	AK1350/7DS-3.5-GREY-CP	51350070121 G	250
8	28.00	AK1350/8DS-3.5-GREY-CP	51350080121 E	100
9	31.50	AK1350/9DS-3.5-GREY-CP	51350090121 E	100
10	35.00	AK1350/10DS-3.5-GREY-CP	51350100121 E	100
11	38.50	AK1350/11DS-3.5-GREY-CP	51350110121 E	100
12	42.00	AK1350/12DS-3.5-GREY-CP	51350120121 E	100

## Accessoires

Figure	Designation	Article Number
	Soldering Cover CC-AK1350-GREY	Order Data: 51350000000
	Bridge, 2-pole, angled, BR/2-3.5/3.81-H-L4.7	Order Data: 50000000019
	Bridge, 2-pole, BR/2-3.5/3.81-L4.7	Order Data: 50000000013
	Bridge, 3-pole, BR/3-3.5/3.81-L4.7	Order Data: 50000000014
	Bridge, 2-pole, insulated, BRI/2-7.0/7.62-L7.5-LIGHT GREY	Order Data: 50000000018
	Series AK1350 with pull relief	Order Data: on request

## Ratings

UseGroup	C <sup>®</sup> RW <sup>®</sup> US			VDE	
	B	C	D		
Rated Voltage	150 V	-	-	125 V	
Rated Current	10 A	-	-	10 A	
Overvoltage Category				III	
Rated Wire Size				min	max
- solid	AWG 28-16	-	-	0.2 mm <sup>2</sup> (4 A)	1.5 mm <sup>2</sup> (8 A)
- stranded	AWG 28-16	-	-	0.2 mm <sup>2</sup> (4 A)	1.5 mm <sup>2</sup> (8 A)
Torque	0.25 Nm	-	-	0.25 Nm	
Screw Size	M2	-	-	M2	
Test Voltage	1.30 kV	-	-	2.5 kV	
Pollution Degree				3	