

AKZ4961/..KD-7.62-BASALTGREY



Technical Data

Wire sizes		Insulating Material	
Solid min	0.2 mm ²	Material	PA 6.6
Solid max	2.5 mm ²	Flammability Class	UL 94 V-0
Stranded (flexible) min	0.2 mm ²	Temperatures	
Stranded (flexible) max	2.5 mm ²	Operating Temperature (without mech. load)	-40 °C - 105 °C
Stranded with Ferrule min	0.25 mm ²	Store Temperature	-40 °C - 105 °C
Stranded with Ferrule max	2.5 mm ²	Wave Soldering Process	
Dimensions		Soldering Temperature, recommended	-
Stripped Length	12.0 mm	Peak Soldering Time, recommended	-
Materials		Reflow Process	
Contact Spring	Copper Alloy	Soldering Temperature, recommended	-
Clamp Spring	Stainless Steel	Peak Soldering Time, recommended	-

Colours

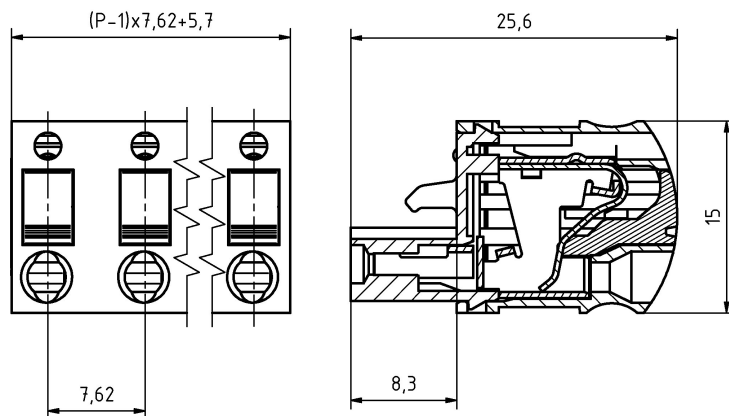
	BASALT GREY, RAL 7012
	GREEN, RAL 6018
	LIGHT GREEN, similar RAL 6018

Colours according to RAL, there may be variations on colour due to production conditions. Special colours on request.

Counterparts (Spacing 7.62 mm)

Pin Strip
STLZ960

In combination of connectors with different admission data, the lower value is valid.



Order Data (Spacing 7.62 mm)

Poles	Width (mm)	Article Designation	Article Number	PU
2	13.32	AKZ4961/2KD-7.62-BASALTGREY	54961020421 D	50
3	20.94	AKZ4961/3KD-7.62-BASALTGREY	54961030421 D	50
4	28.56	AKZ4961/4KD-7.62-BASALTGREY	54961040421 D	50
5	36.18	AKZ4961/5KD-7.62-BASALTGREY	54961050421 D	50
6	43.80	AKZ4961/6KD-7.62-BASALTGREY	54961060421 D	50
7	51.42	AKZ4961/7KD-7.62-BASALTGREY	54961070421 D	50
8	59.04	AKZ4961/8KD-7.62-BASALTGREY	54961080421 D	50
9	66.66	AKZ4961/9KD-7.62-BASALTGREY	54961090421 D	50
10	74.28	AKZ4961/10KD-7.62-BASALTGREY	54961100421 D	50
11	81.90	AKZ4961/11KD-7.62-BASALTGREY	54961110421 D	50
12	89.52	AKZ4961/12KD-7.62-BASALTGREY	54961120421 D	50

Accessoires

Figure	Designation	Article Number
	Coding Star CS1-5.0/5.08-RED	Order Data: 50000000021

Ratings

UseGroup	cRU [*] US			VDE [*]	
	B	C	D		
Rated Voltage	300 V	-	300 V		400 V
Rated Current	10 A	-	10 A		12 A
Overvoltage Category					III
Rated Wire Size				min	max
- solid	AWG 26-12	-	AWG 26-12	0.2 mm ²	2.5 mm ²
- stranded	AWG 26-12	-	AWG 26-12	0.2 mm ²	2.5 mm ²
Test Voltage	1.60 kV	-	1.60 kV		6.0 kV
Pollution Degree					3

* Approval Pending